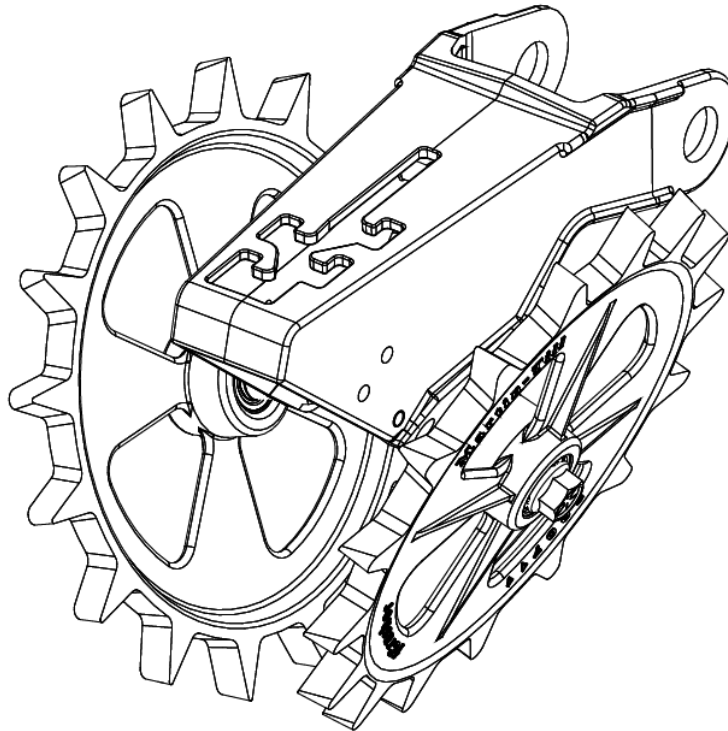


fCrusher

Cast Closing Wheel for Bolt-on Hubs **INSTALLATION INSTRUCTIONS**



Martin Planter Attachments

Martin Industries LLC

206 Elk Fork Road

Elkton, KY 42220

Telephone: 270-265-5817

E-Mail: martin@martintill.com

www.martintill.com



fCrusher Assembly Instructions

- 1) Attach the fCrusher to each side of Closing Frame with 5/8-11 x 4 Hex bolts and the below hardware in Figure 1.1. (See Figure 1.2 for Snap Ring and Bushing)
- 2) Use 2 x 5/8 Ring washers (758602), 1 x 5/8 SAE Washer (758601) and 1 x BU7858 Bushing per wheel for recommended starting spacing. If different spacing is desired, remove desired number of spacers.

Note: 758601 Washer should be installed against the Closing Frame.

- 4) Torque to 112 ft-lbs. Re-tighten after first day's use.
- 5) Repeat instructions for the opposite side assembly if running Dual fCrushers.

Note: Wheels should be installed with the Sharp Side of the Teeth facing the Seed Trench. The Text should be facing away from the Seed Trench and Closing Frame.

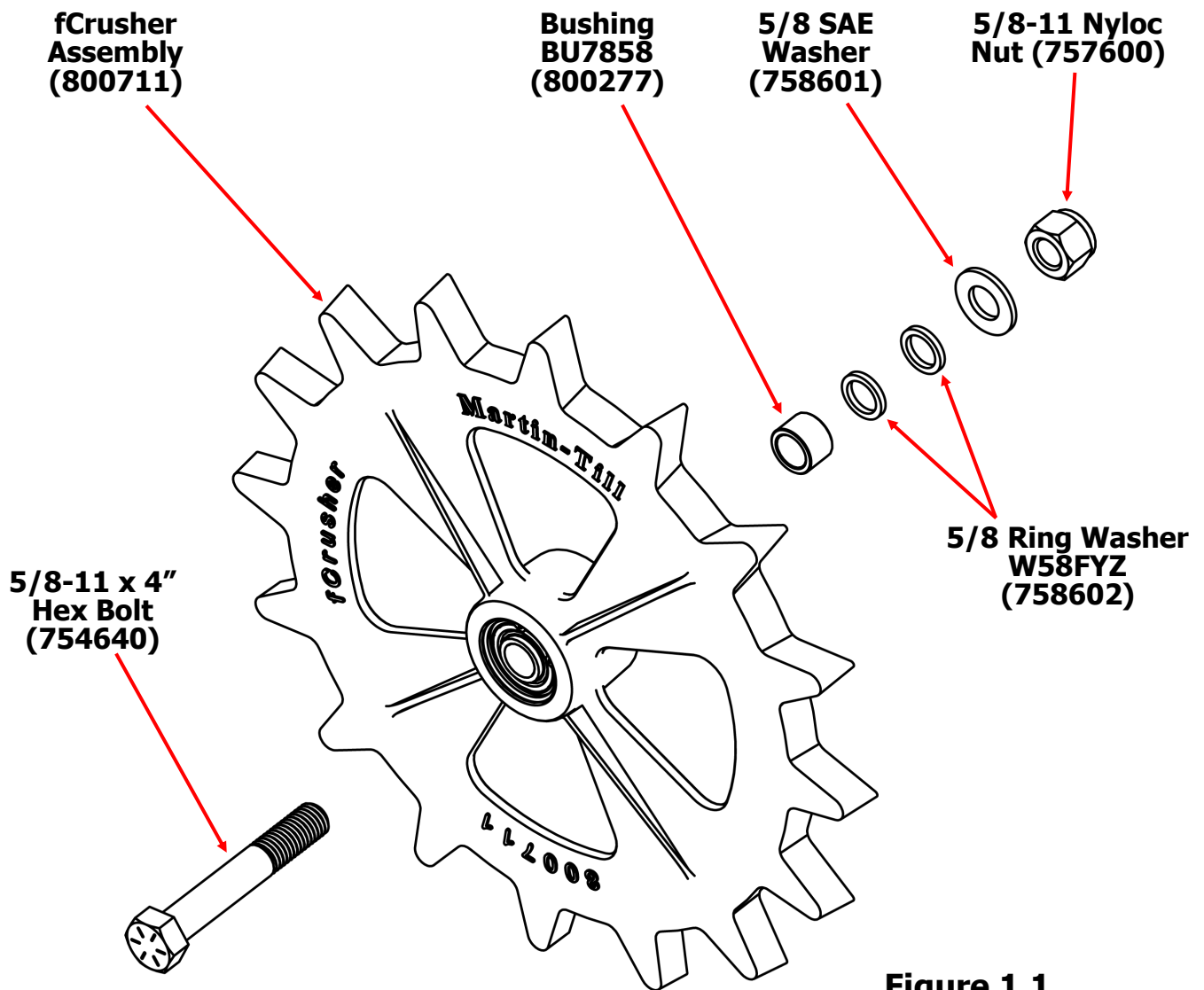


Figure 1.1

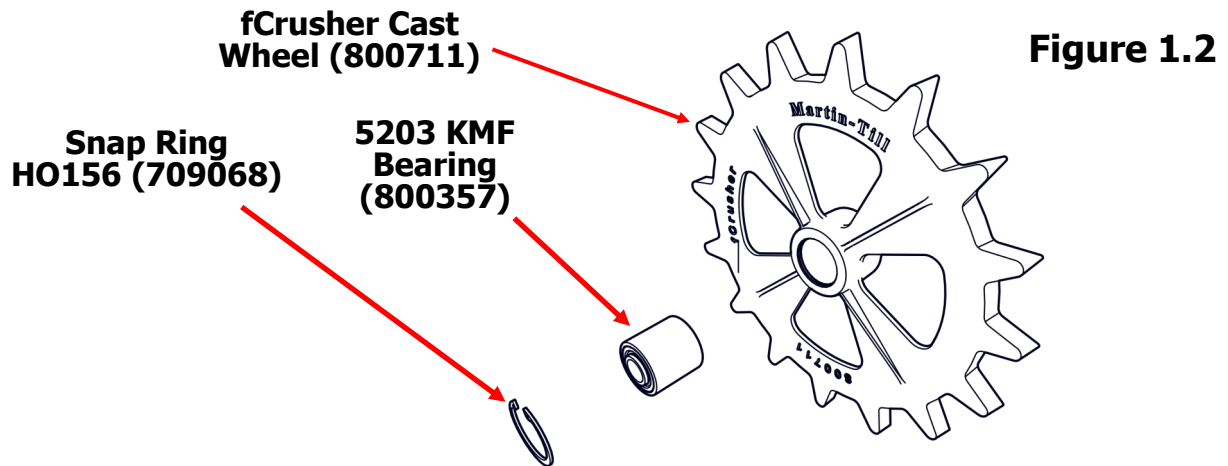


Figure 1.2

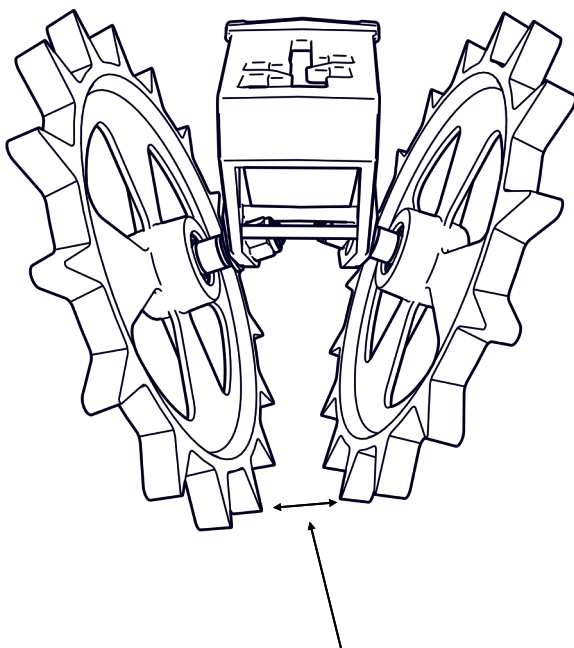
Recommended starting distance between wheels is 1.25" inside to inside as shown below for both Single and Dual fCrusher configurations.

For Kinze Closing Arms, recommended spacing is 1.375". To get this spacing, use 1x BU7858 Bushing and 1 x 5/8" SAE Washer (758601) per side between the frame and the bearing.

For JD7000, mount using A70 Axles for recommended spacing of 1.375".

For additional Spacing, add 1 ring washer per side to increase distance by 1/4".

Note: Always use 1 x 5/8 Thin SAE Washer (758601) directly against the Closing frame on each side.



**RECOMMENDED STARTING
DISTANCE 1 1/4" WHEN
ASSEMBLED.**

HARDWARE REQUIRED PER WHEEL

Part #	Description	QTY
754640	5/8-11 X 4" Hex Bolt	1
758602	5/8 Ring Washer	2
758601	5/8 SAE Washer	1
800277	BU7858 Bushing	1
757600	5/8-11 Nyloc Nut	1



The most trusted name in no-till
Established 1991

Martin Industries LLC

206 Elk Fork Road

Elkton, KY 42220

Telephone: 270-265-5817

E-Mail: martin@martintill.com