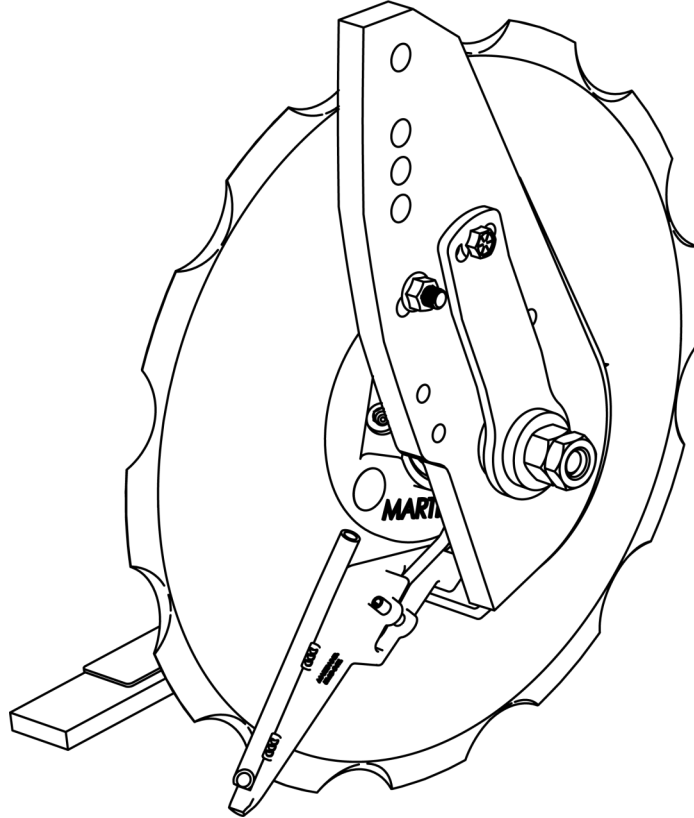


# **UMO-150**

**UNIT MOUNTED FERTILIZER OPENER**

## **INSTALLATION INSTRUCTIONS**



**SHOWN WITH OPTIONAL NOTCHED BLADE (800249)**



### **Martin Planter Attachments**

**Martin Industries LLC**

206 Elk Fork Road

Elkton, KY 42220

Telephone: 270-265-5817

E-Mail: [martin@martintill.com](mailto:martin@martintill.com)

[www.martintill.com](http://www.martintill.com)

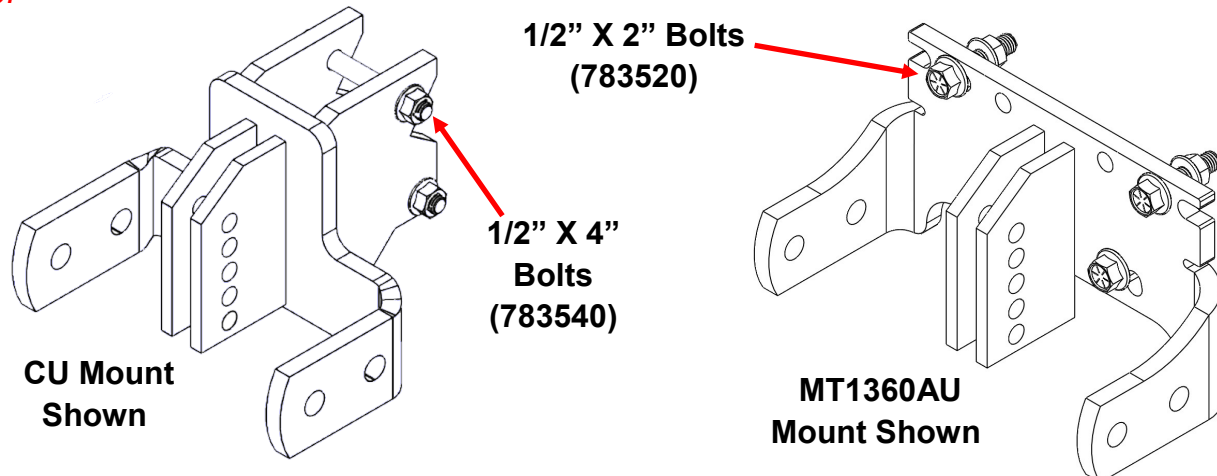


## STEP 1 : ATTACH THE MOUNT TO THE PLANTER

Use a square or a level tool to make sure that the planter face plate is set parallel to the Planter's W-Bracket (The bracket that attaches the planter to the tool bar).

Using four 1/2" X 2" flange bolts, attach the Mount to the Planter's face plate, and torque mounting nuts to 57 ft-lbs ( Right Picture).

For CaseIH 1200 series planter, use provided two 1/2" X 4" bolts and nuts . Torque to 80 ft-lbs ( Left picture). *It is highly recommended to use our HDP-CIH01 Parallel Lower Linkage on a Case IH 1200.*



## STEP 2 : DETERMINE DESIRED FERTILIZER PLACEMENT

The Martin-Till Unit Mounted Fertilizer Opener (UMO100 or 150) allows you to place fertilizer in three different horizontal (offset) and three different vertical (depth) distances from the seed.

The options on STEP 2A determine the vertical distance from the seed (depth).

The options on STEP 2B determine the horizontal distance from the seed (offset).

**Note: Vertical Depths based on MT1360AU Mounts and 14" Smooth Blade Openers. For MT1360CU mounts (Case IH 1200), these depths will be 7/8" lower.**

### STEP 2A: UMO DEPTH SETTING OPTIONS (MT1360AU Mounts)

Looking at the pictures on page 3, select 1 of the following UMO vertical installation positions (A, B, or C)

#### Position A (Worked Ground):

The top bolt passes through the first holes of the mount and the UMO. The bottom bolt passes through the fifth hole of the mount and the forth hole of the UMO. This position will place the fertilizer 3/4" above seed depth.

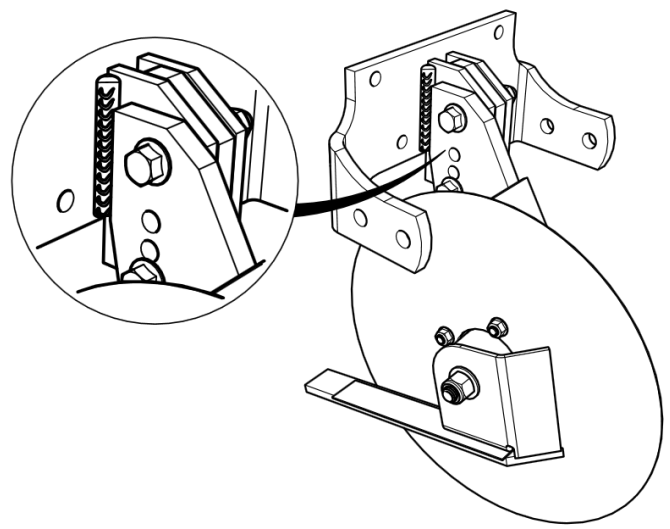
#### Position B (No-Till): (RECOMMENDED)

The top bolt passes through the second hole of the mount and the first hole of the UMO. The bottom bolt passes through the fifth holes of the mount and the third hole of the UMO. This position will place the fertilizer "even" with seed depth.

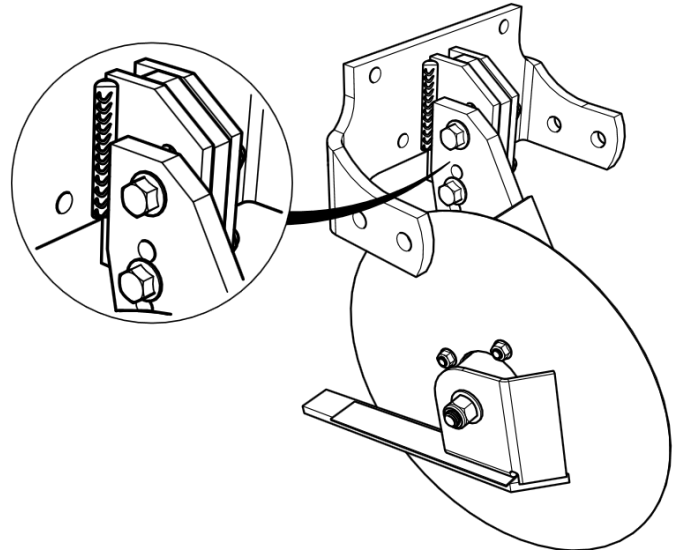
#### Position C (Special soil conditions only):

The top bolt passes through the third hole of the mount and the first hole of the UMO. The bottom bolt passes through the fifth holes of the mount and the second hole of the UMO. This position will place the fertilizer 3/4" below seed depth.

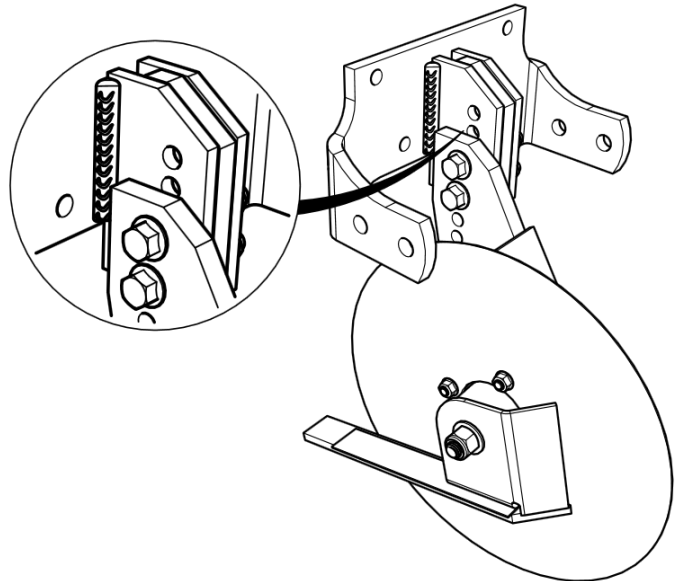
**Position A**  
**(Worked Ground)**  
**3/4" above seed**  
**depth**



**Position B**  
**(No-Till)**  
**Even with seed**  
**depth**  
**(Recommended)**



**Position C**  
**(Special soil conditions**  
**only)**  
**3/4" below seed**  
**depth**

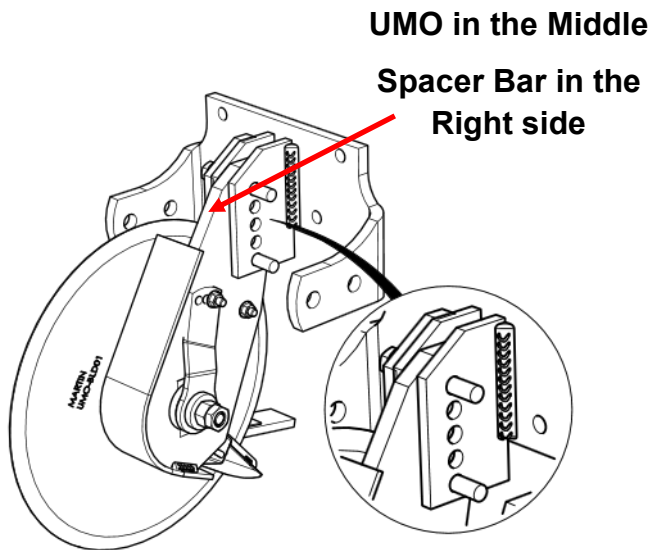


## STEP 2B: UMO OFFSET SETTING OPTION

Three different offset settings are shown in the pictures. The UMO can be installed to the right side (Offset 1" from seed furrow), in between (Offset 2" from seed furrow), or to the left side (Offset 3" from seed furrow) of the mount flanges. Place the UMO-12 spacer bar according to the pictures.

Note: Below pictures are of a Right Hand UMO. Settings A and C will be opposite direction if installing a Left Hand UMO.

Select one of the following UMO horizontal installation positions (A, B, or C)



**Position B:** Offset 2" from seed furrow

\*Recommended for fertilizer application rates of 10-20 GPA.

*(UMO-12 on the outside)*

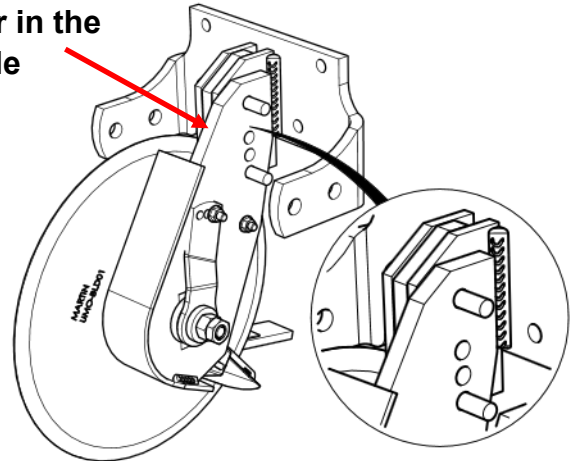
### NOTE:

\*Recommendations based on general rule of thumb of 1" offset for every ten gallons of fertilizer applied per acre.

\*Consult with your agronomist for specific application rate information unique to your operation, soil properties, and conditions.

UMO in the Left side

Spacer Bar in the middle



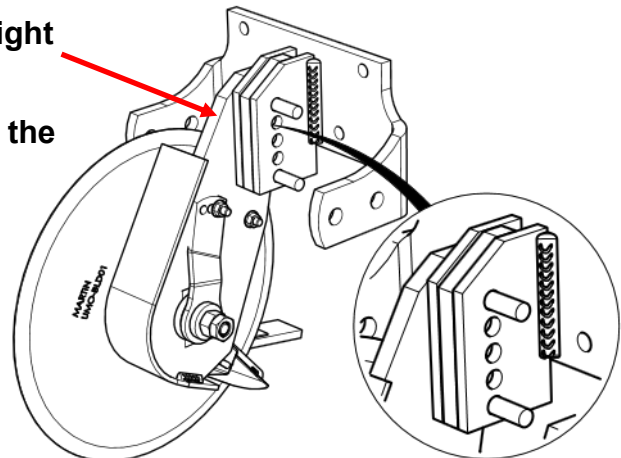
**Position A:** Offset 1" from seed furrow

\*Recommended for fertilizer application rates of 10 GPA and under.

*(UMO-12 in the Center)*

UMO in the Right side

Spacer Bar in the middle

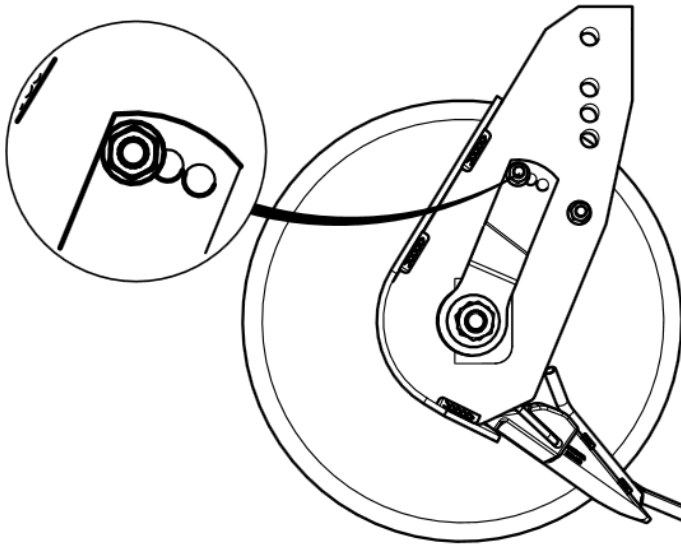


**Position C:** Offset 3" from seed furrow

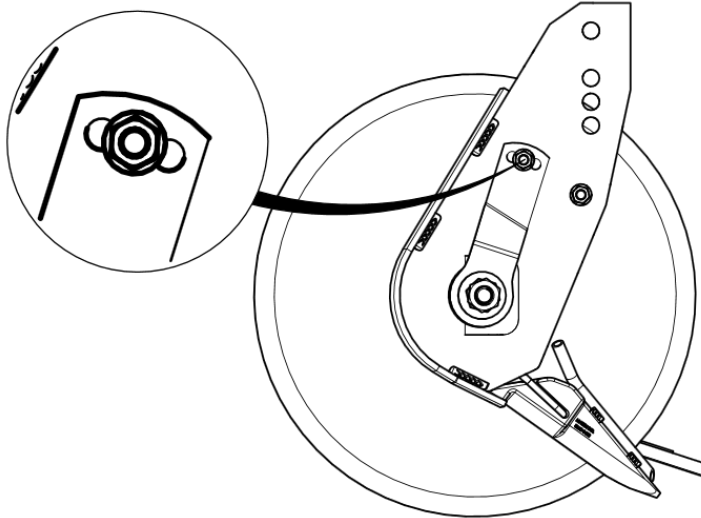
\*Recommended for fertilizer application rates of 20-30 GPA.

*(UMO-12 in the Center)*

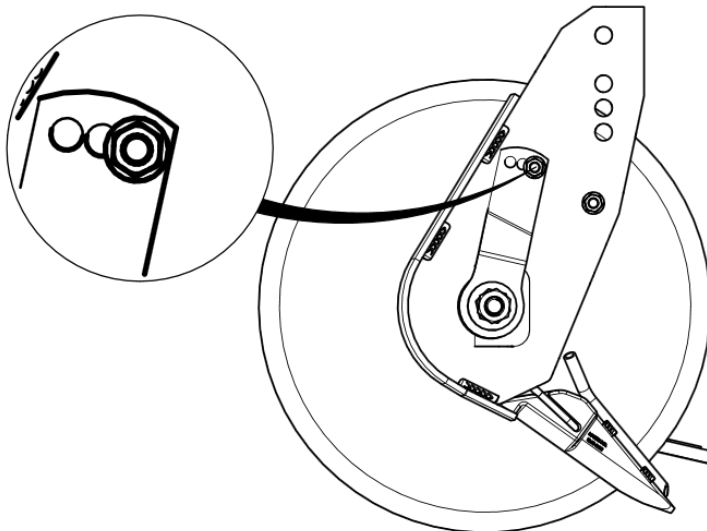
## STEP 2C: FURROW CONTROL LEVER GROUND PRESSURE ADJUSTMENT



**SETTING #1:** This configuration provides maximum ground pressure.



**SETTING #2:** This configuration provides medium ground pressure.



**SETTING #3:** This configuration provides the least ground pressure.

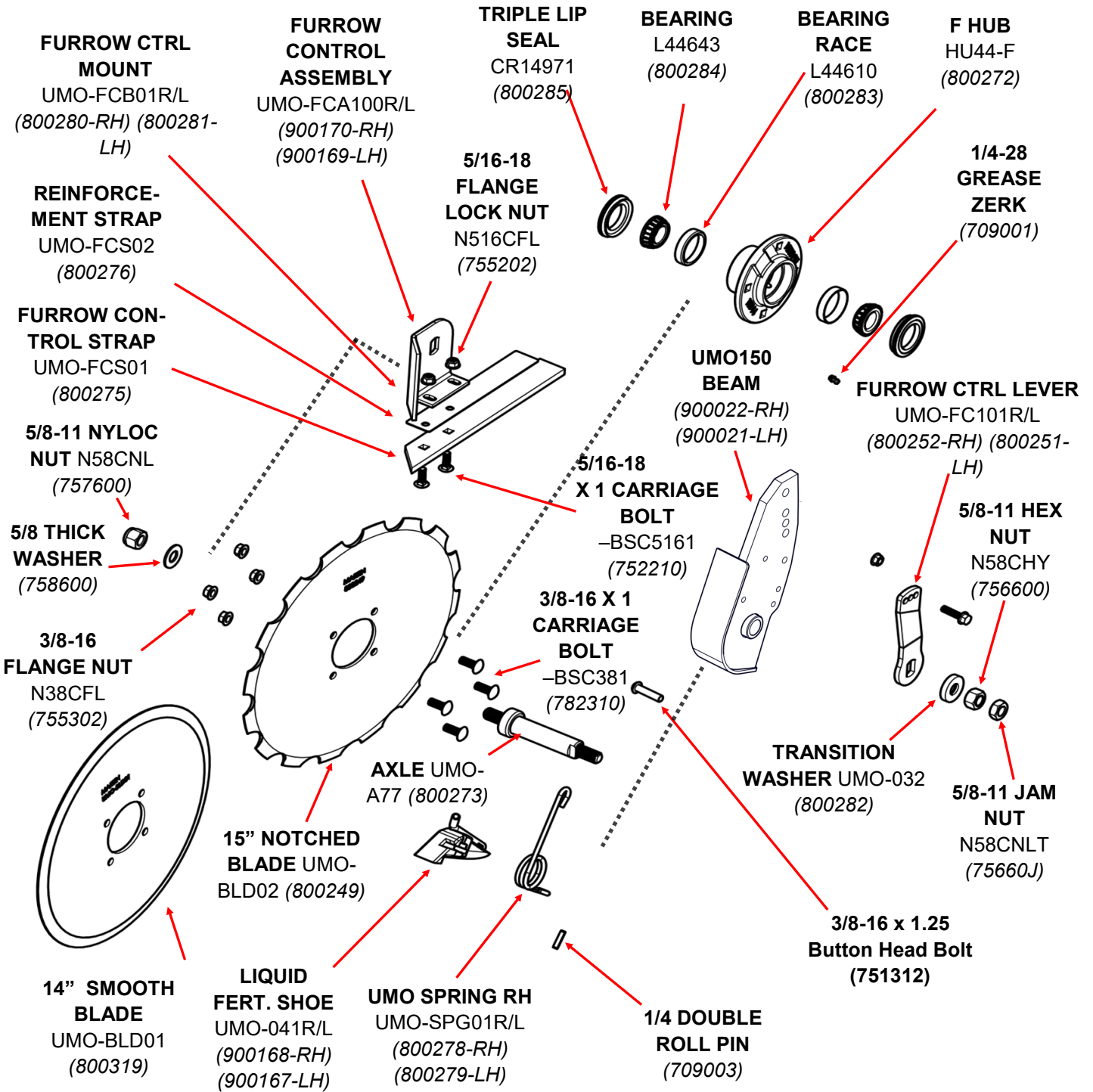
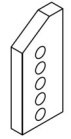
**NOTE:** This is the default and recommended initial position.

# PARTS LIST FOR UMO150

**UMO150R- 900172 or 900172N (Notched Blade)**

**UMO150L- 900171 or 900171N (Notched Blade)**

**SPACER BLOCK**  
UMO-12 (800306)



**NOTE: UMO-150R SHOWN**

- R DESIGNATES RIGHT HAND PARTS
- L DESIGNATES LEFT HAND PARTS
- N DESIGNATES NOTCHED BLADE

**NOTE: INSTALL THE BLADE WITH BEVEL FACING HUB.**

## MAINTENANCE TIPS

### UMO 150 Hub Preventative Maintenance

The UMO hub is designed to be “flushed out” with lubrication, without damaging the triple lip seal.

To flush the hub, lubricate until fresh grease is visible around the seal.

- In worked ground, lubricate every 20 hours of run time
- In No-Till ground, lubricate every 40 hours of run time

**NOTE:** Hubs may feel tight when first installed. They will loosen after they “run in”.

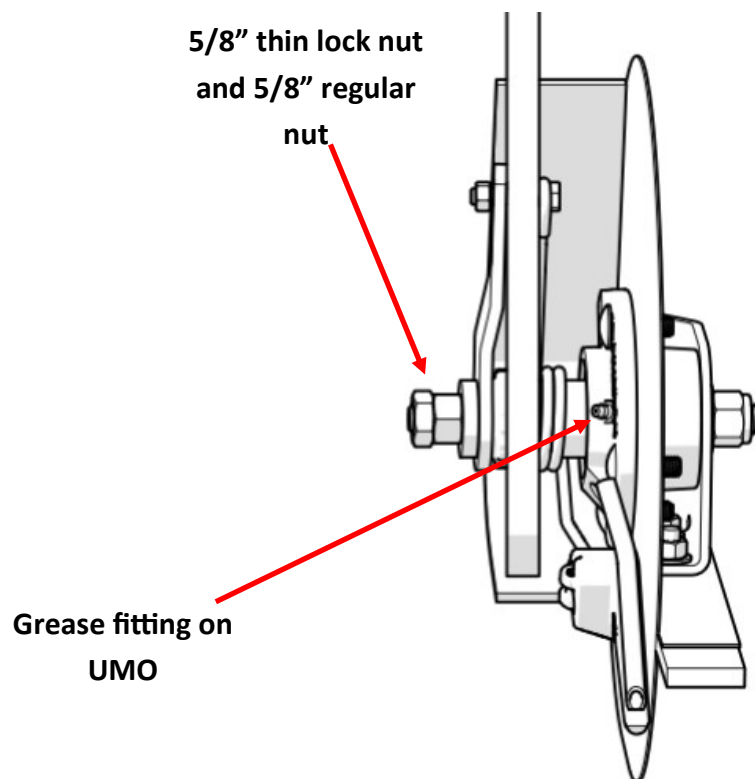
### UMO 150 Hub Bearing Preload Adjustment

Maintaining proper bearing preload is crucial to bearing life. Monitor and adjust annually.

To adjust:

- Loosen the 5/8” thin lock nut
- Torque to 3.75 ft-lb (45 in-lb)
- Alternatively, with one hand at 12 o’clock position and the other at 6, tighten nut until zero end play
- Hold the 5/8” regular nut in place with a wrench and tighten the 5/8” thin lock nut

**NOTE:** End play is checked by pulling out on the top of the blade while pushing in on the bottom





**The most trusted name in no-till**  
**Established 1991**

**Martin Industries LLC**

206 Elk Fork Road

Elkton, KY 42220

Telephone: 270-265-5817

E-Mail: [martin@martintill.com](mailto:martin@martintill.com)