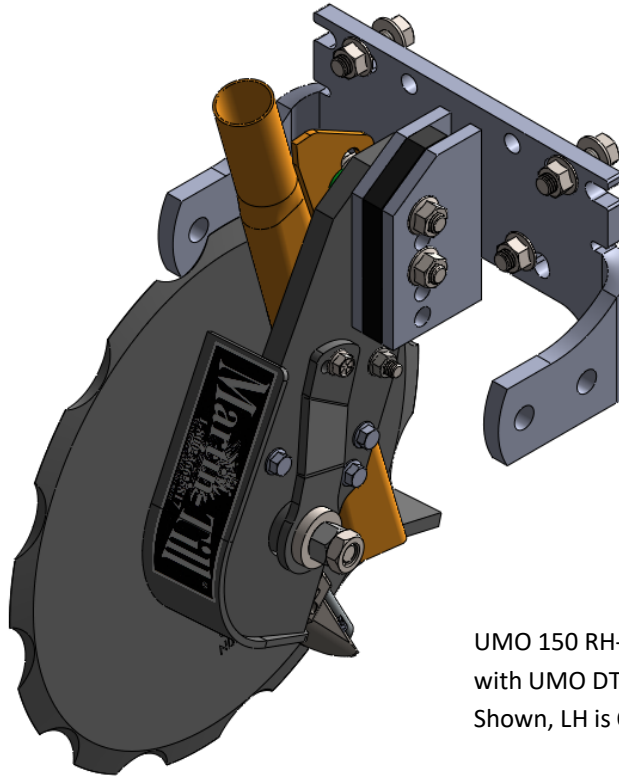


DT01 (900190-1)

INSTALLATION INSTRUCTIONS



UMO 150 RH-Notched
with UMO DT01R
Shown, LH is Opposite



Martin Planter Attachments

Martin Industries LLC

206 Elk Fork Road

Elkton, KY 42220

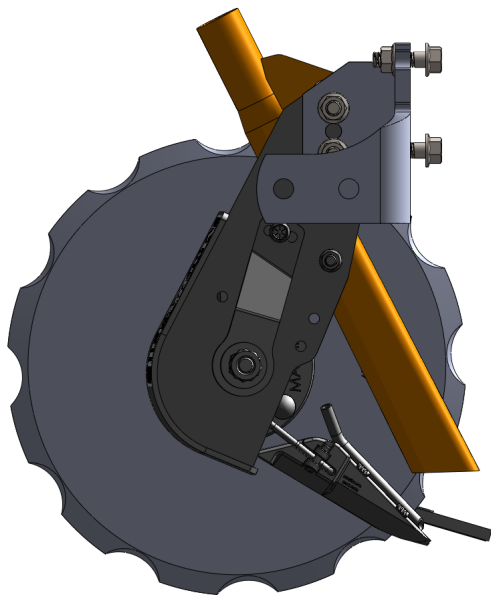
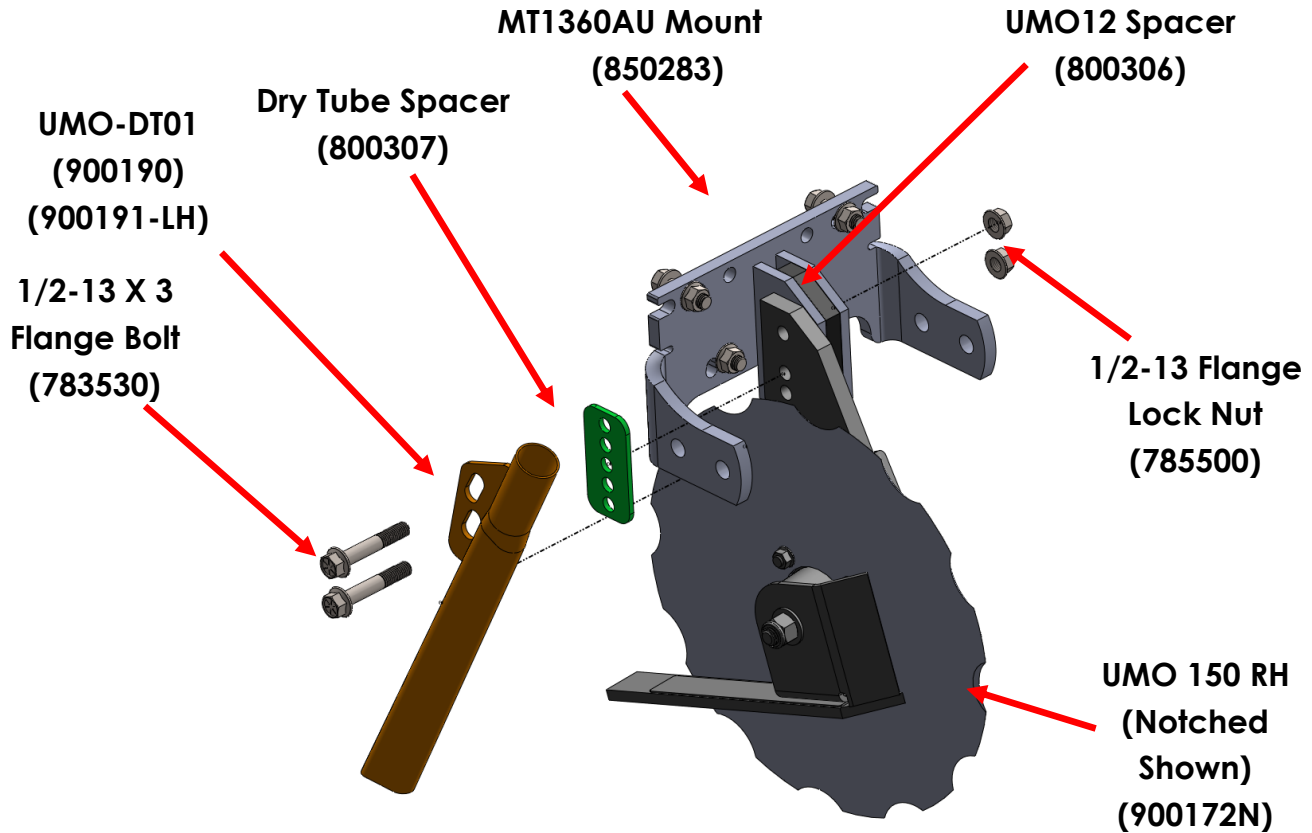
Telephone: 270-265-5817

E-Mail: martin@martintill.com

www.martintill.com

Installing Dry Tube on UMO150

With UMO 150 in Horizontal Position C (outside position, shown below), install Dry Fertilizer Tube between UMO beam and UMO Blade. Use provided 800307 Spacer between the tube bracket and UMO beam. Determine desired height for tube and secure with 1/2-13 x 3" Flange Bolt and Nut. **Note: Dry Tube can only be installed with UMO150 in this Position (C in UMO Instructions).**



Dry Tube must be angled backward towards row unit so that the Fertilizer exits behind the UMO Blade.

Note: Bottom of Dry tube must be above ground level to apply fertilizer appropriately and avoid damage to tube.

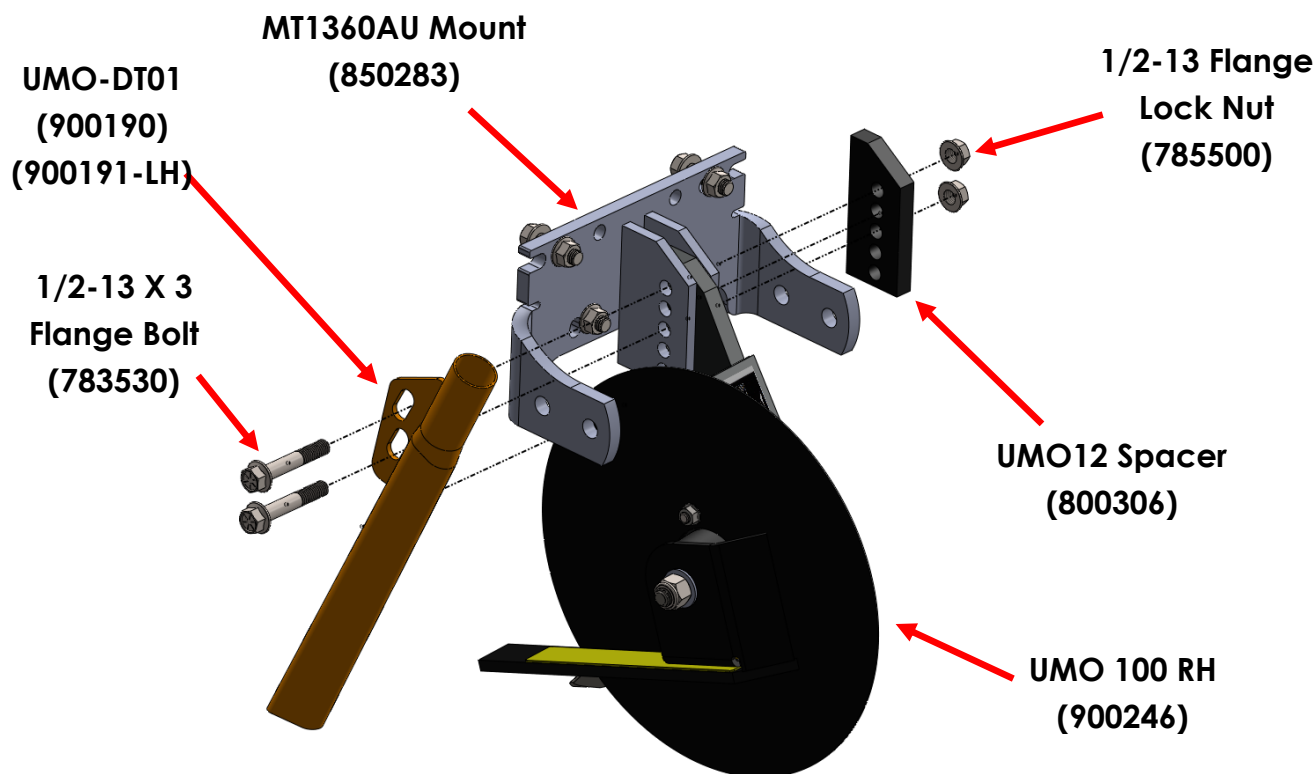
Colors shown for clarification only.

Installing Dry Tube on UMO100

With UMO100 in Horizontal Position B or C shown below), install Dry Fertilizer Tube between UMO beam and UMO Blade. Determine desired height for tube and secure with 1/2-13 x 3" Flange Bolt and Nut. **Note: Dry Tube cannot be installed with UMO 100 in Horizontal Position A.**

With UMO100 in Position C (outside position), install with the same components and steps as the UMO150 in Position C. See Page 2.

With UMO100 in Position B (Center Position), install Dry tube direct to the mount side plate as shown below. The UMO12 Spacer (800306) should be on the outside.

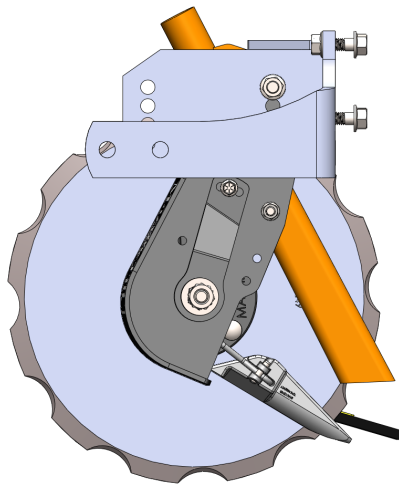
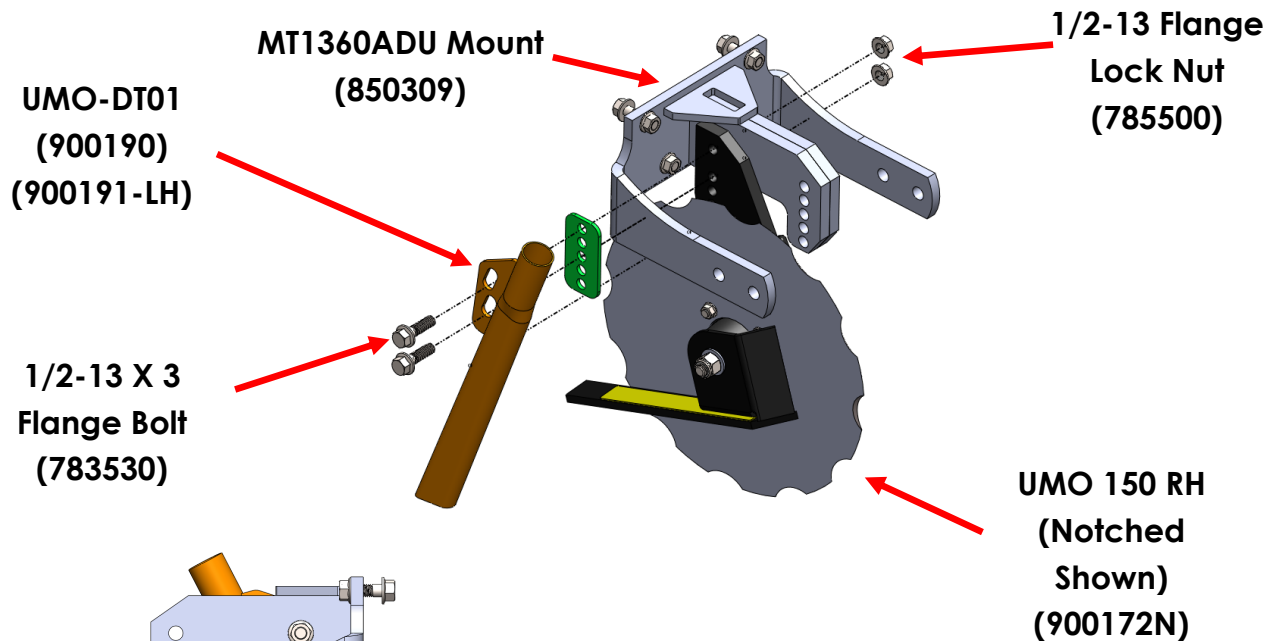


Colors shown for clarification only.

Installing Dry Tube on Dual UMO

When installing on a Dual UMO Mount, a RH UMO150 and DT01 can only be installed in the Right Hand Outside Position as shown below. Install Dry Fertilizer Tube between UMO beam and UMO Blade. Use provided 800307 Spacer between the tube bracket and UMO beam. Determine desired height for tube and secure with 1/2-13 x 3" Flange Bolt and Nut.

Repeat for opposite side.



Dry Tube must be angled backward towards row unit so that the Fertilizer exits behind the UMO Blade.

Note: Bottom of Dry tube must be above ground level to apply fertilizer appropriately and avoid damage to tube.



Martin Industries LLC

206 Elk Fork Road

Elkton, KY 42220

Telephone: 270-265-5817

E-Mail: martin@martintill.com

www.martintill.com

The most trusted name in no-till. Established 1991