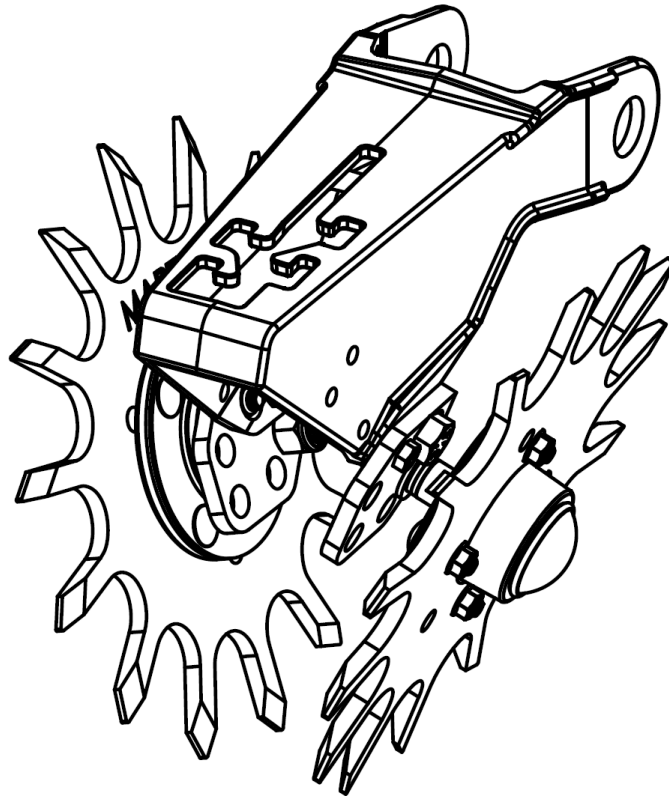


DK-01

Drop Down Leveling Kit for 13" SPIKE WHEELS

INSTALLATION INSTRUCTIONS



Martin Planter Attachments

Martin Industries LLC

206 Elk Fork Road

Elkton, KY 42220

Telephone: 270-265-5817

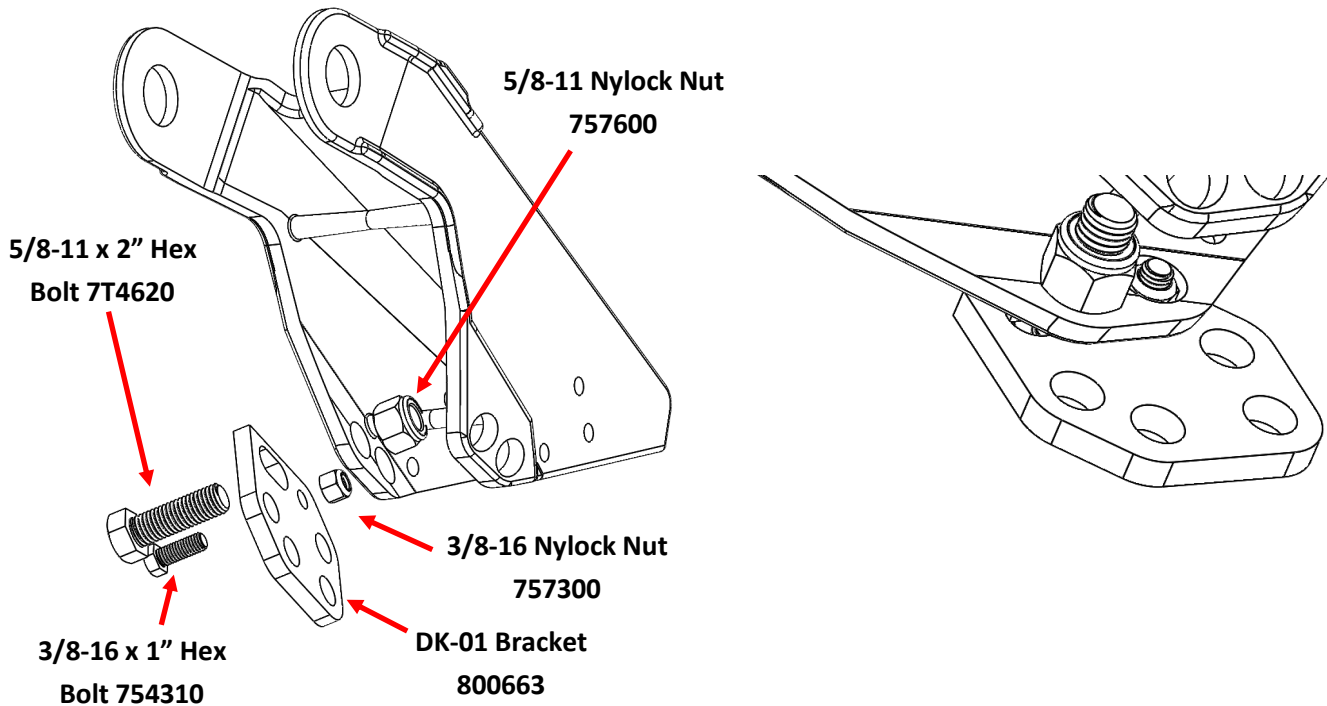
E-Mail: martin@martintill.com

www.martintill.com

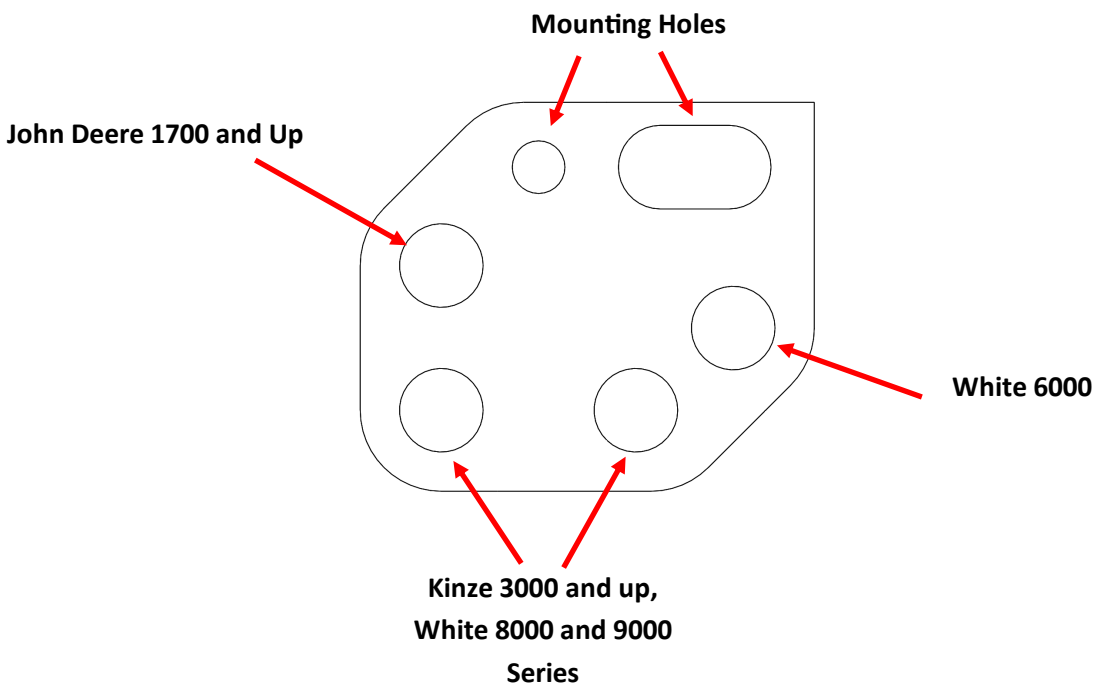


- 1) Attach drop bracket 800663 to Closing frame with the 5/8" slot closest to the row unit as shown below.
- 2) Insert 3/8-16 x 1" Hex Bolt thru DK01 bracket and install 3/8 Nylock Nut.
- 3) With 3/8 hardware installed on bracket with bolt head facing out, insert the 5/8-11 x 2 hex Bolt through the DK-01 Bracket, thru the Closing frame and into install 5/8-11 Nylock Hex nut.

Note: 3/8 Nylock nut should be inside the hole on the closing frame as shown below.



See the below figure to know which holes in the drop down bracket to use for your planter.



4) With Drop down bracket installed, use hardware from BSCW1344 Kit to install each wheel.

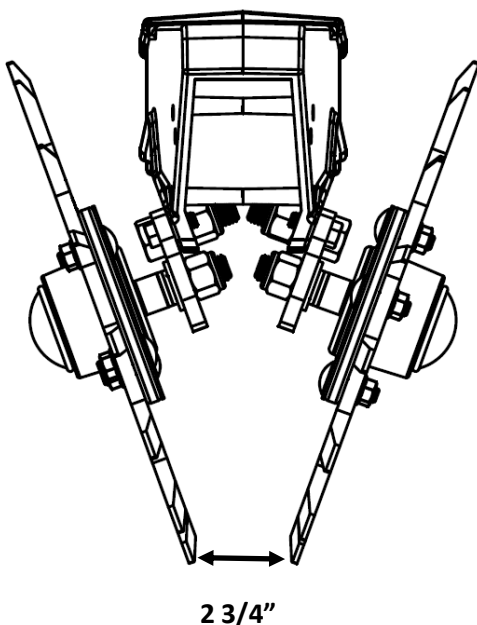
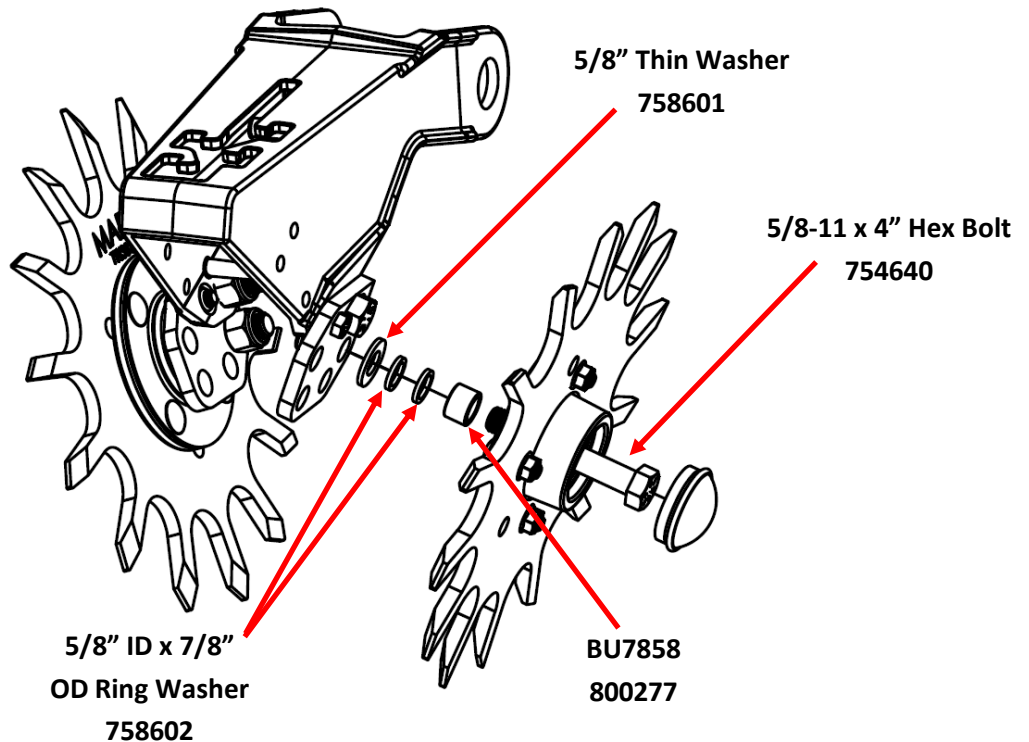
Combinations of washers and bushings will depend on your planter make.

Recommended spacing for a Deere is between 2 1/2" to 2 3/4" between wheels measured at the bottom of the spikes. To achieve this distance, use provided 5/8-11 x 4" Hex Bolt in place of 3 3/4" bolt from BSCW1344 Kit.

With bolt passed through the hub and wheel assembly, add 1 BU7858 Spacer, 2 5/8" ring washers, and 1 5/8" thin washer as shown below. Attach with 5/8-11 Nylock Nut and tighten. Remove 1 5/8" ring washer for 2 1/2" Distance.

For Kinze, 2 3/4" distance requires 1 x BU7858 Spacer, 1 x 5/8" ring washers, and 1 x 5/8" thin washer.

For White, use 1 x BU7858, 3 x 5/8" ring washer, and 1 x 5/8" thin washer to get to 2 3/4".



Hardware Required Per Wheel

- | | |
|--------------------------|-------|
| 1) Drop Bracket (800663) | QTY 1 |
| 2) 5/8" X 4" Hex Bolt | QTY 1 |
| 3) 5/8" X 2" Hex Bolt | QTY 1 |
| 4) 5/8" Nyloc Nut | QTY 1 |
| 5) 3/8" Nyloc Nut | QTY 1 |
| 6) 3/8" X 1" Hex Bolt | QTY 1 |



The most trusted name in no-till
Established 1991

Martin Industries LLC

206 Elk Fork Road

Elkton, KY 42220

Telephone: 270-265-5817

E-Mail: martin@martintill.com

www.martintill.com