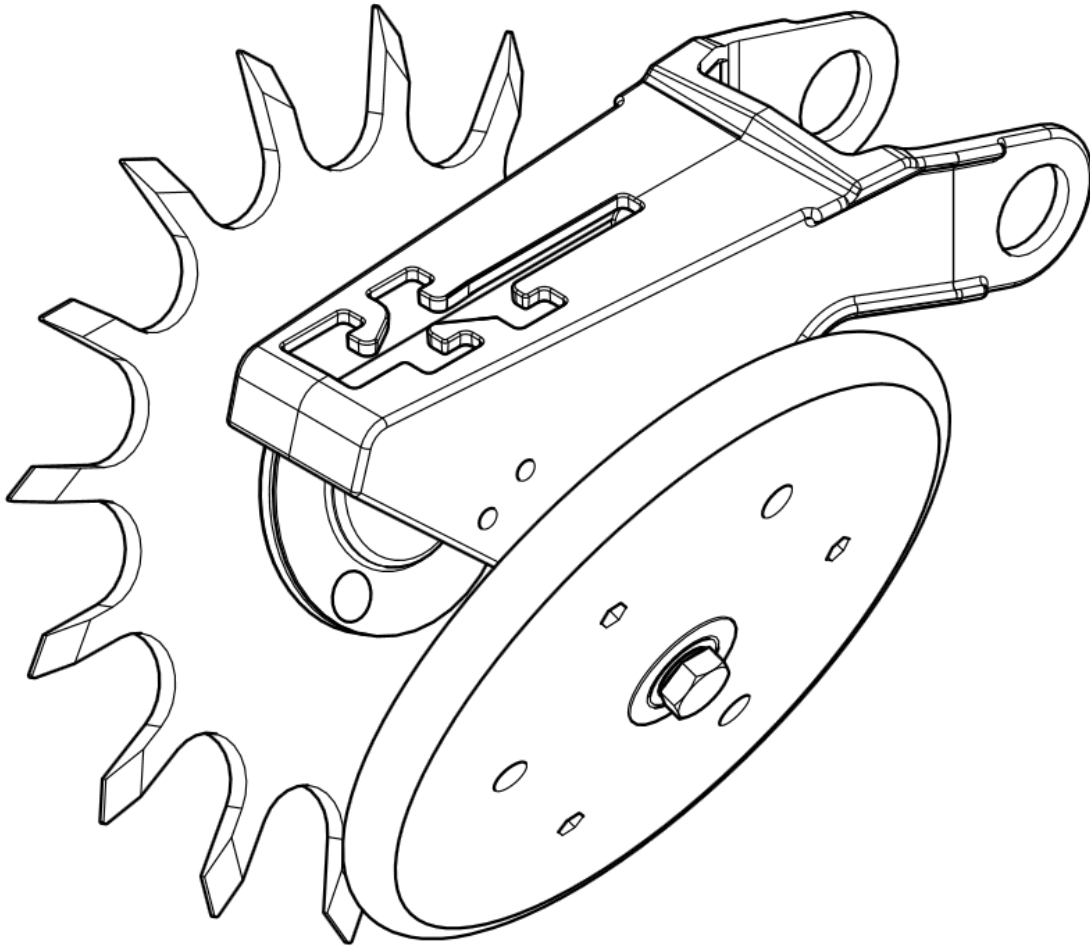


BSCW1544

**Spading Closing Wheel for 1700 Deere and Kinze
planters with bolt on hubs**

Installation Instructions



Martin Planter Attachments

Martin Industries LLC

206 Elk Fork Road

Elkton, KY 42220

Telephone: 270-265-5817

E-Mail: martin@martintill.com

www.martintill.com



BSCW1544 ASSEMBLY INSTRUCTIONS

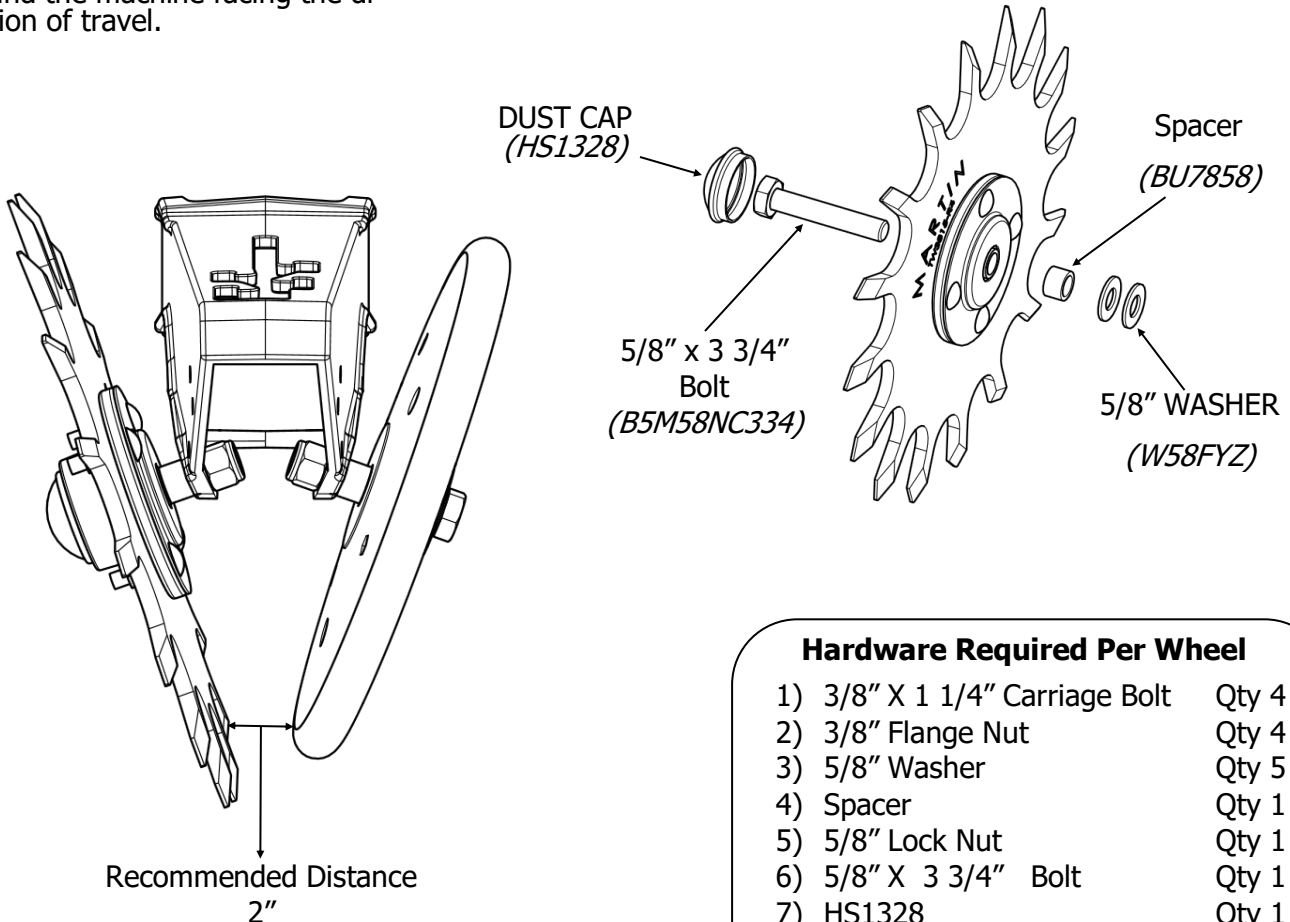
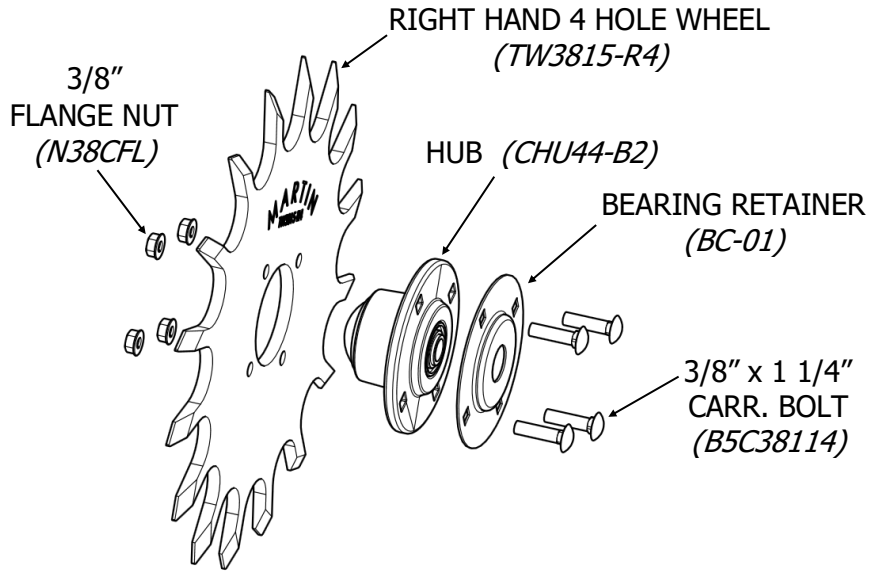
- 1) Place the TW3815-R4 wheel on to the CHU44-B2 hub, with part number facing the hub.
- 2) Align the BC-01 with the holes on the back side of the CHU44-B2 hub.
- 3) Insert the four 3/8" x 1 1/4" carriage bolts then add the four 3/8" flange nuts and tighten.
- 4) Insert the 5/8" x 3 3/4" bolt thru CHU44-B2 hub then add the spacer and washers.

INSTALLING THE BSCW1544 TO THE TAIL WHEEL HOUSING

- 1) Align the SCW1544 assembly with the hole in the tail wheel housing then insert the 5/8" x 3 3/4" bolt thru the hole.
- 2) Add the 5/8" nut and tighten.
- 3) Recommended distance between TW3815 and the smooth wheel on the opposite side is 2".

NOTE: The TW3815-R4 will be mounted on the left side with the part number facing the furrow. If using the TW3815-L4, it will be mounted on the right side with the part number facing the furrow.

Left and Right is referenced from behind the machine facing the direction of travel.



Hardware Required Per Wheel

- | | |
|--------------------------------|-------|
| 1) 3/8" X 1 1/4" Carriage Bolt | Qty 4 |
| 2) 3/8" Flange Nut | Qty 4 |
| 3) 5/8" Washer | Qty 5 |
| 4) Spacer | Qty 1 |
| 5) 5/8" Lock Nut | Qty 1 |
| 6) 5/8" X 3 3/4" Bolt | Qty 1 |
| 7) HS1328 | Qty 1 |
| 8) BC-01 | Qty 1 |