

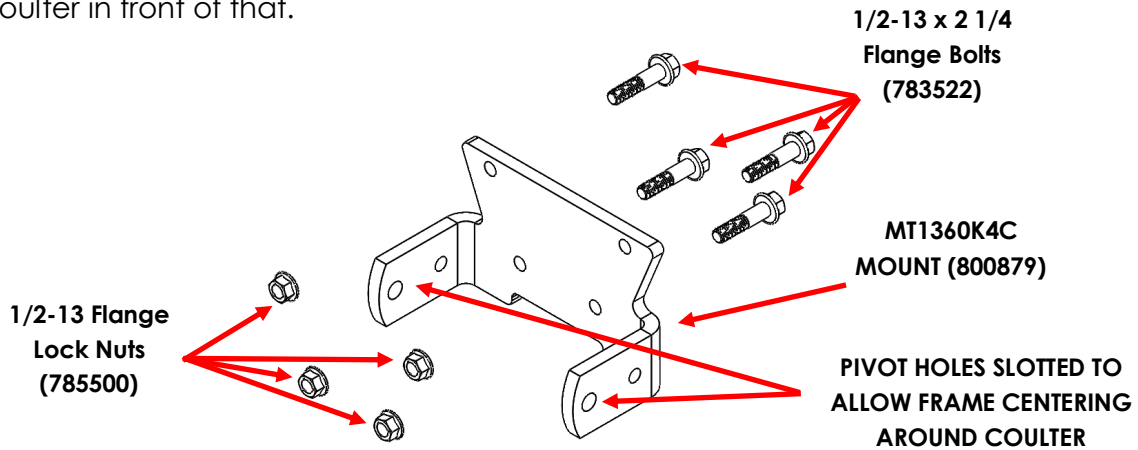


BK4C-1360 ADDENDUM

MOUNT PLATE AND SMART CLEAN BRACKETS FOR KINZE 4000 COULTERS

INSTALLING NEW MT1360K4C MOUNT AND TOP CYLINDER BRACKETS

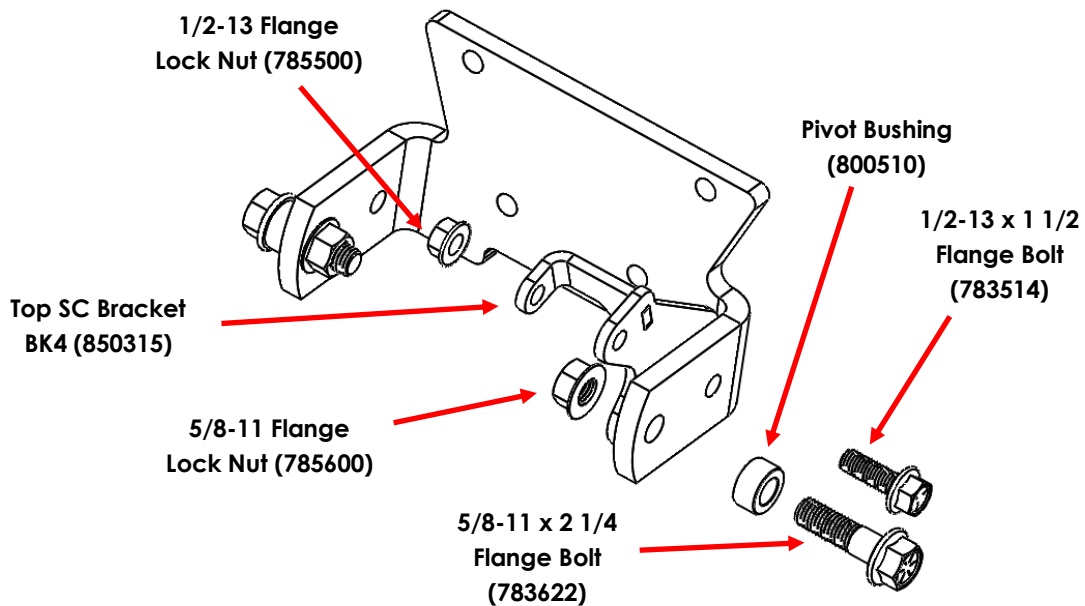
1. Unbolt the Kinze 4000 Coultter from Row unit. Using the provided 1/2-13 x 2 1/4 Flange Bolts and 1/2-13 Flange Nuts, install the MT1360K4C to the row unit and the Kinze Coultter in front of that.



It is recommended that if cylinders are being used, to install the cylinder brackets next before installing the frame.

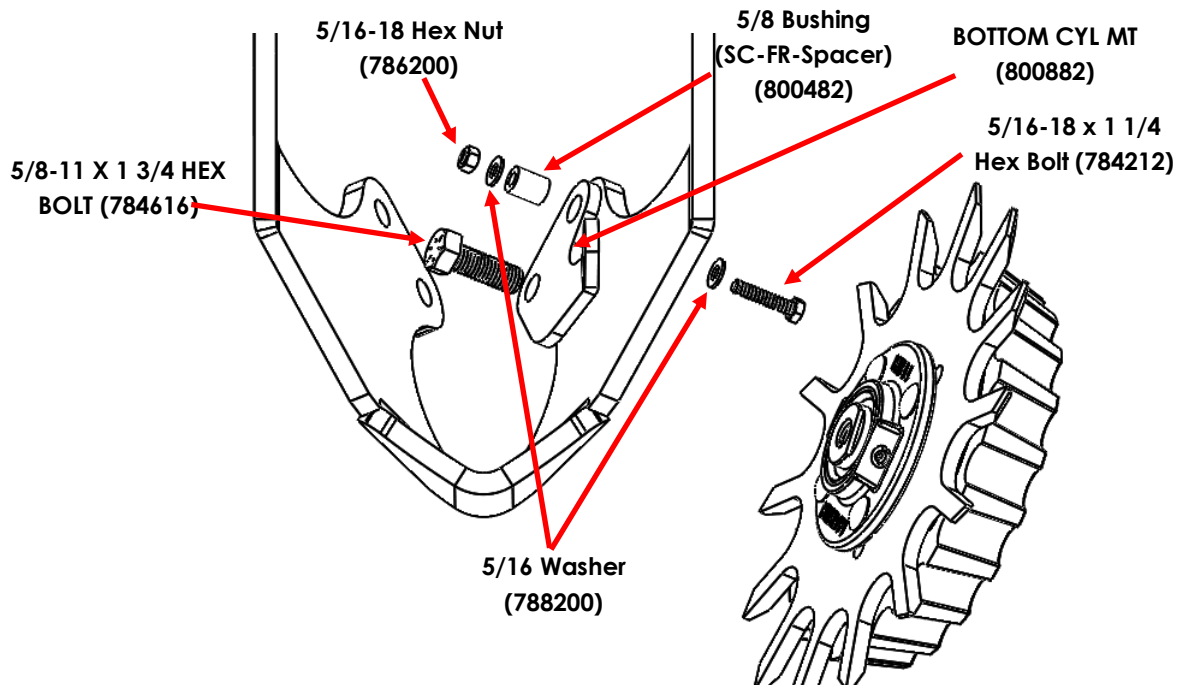
2. Cylinder brackets are installed on the left side of the mount as shown below using the frame pivot hole and 1/2" mounting hole behind it.
3. Install Top Cylinder Brackets as shown with provided 5/8-11 x 2 1/4" Flange bolt, 800510 Bushing and 5/8-11 Flange Nut. For 1/2" hole, use 1/2-13 x 1 1/2" Flange bolt and 1/2-13 Flange Nut.

See page 3 for cylinder Pins and Spacers.



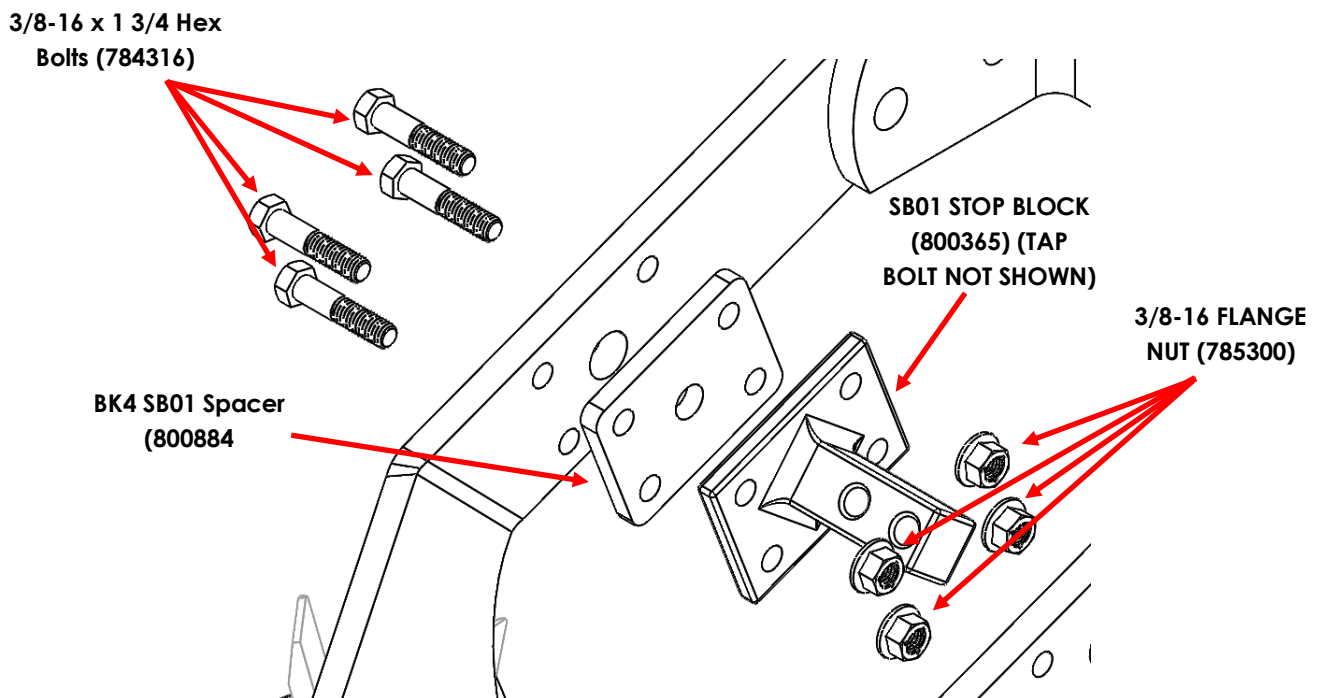
INSTALLING BOTTOM CYLINDER BRACKETS

1. Install the bottom cylinder brackets as shown using the wheel bolt in either the front hole or rear hole of the frame and using the 5/16 hardware provided as shown.



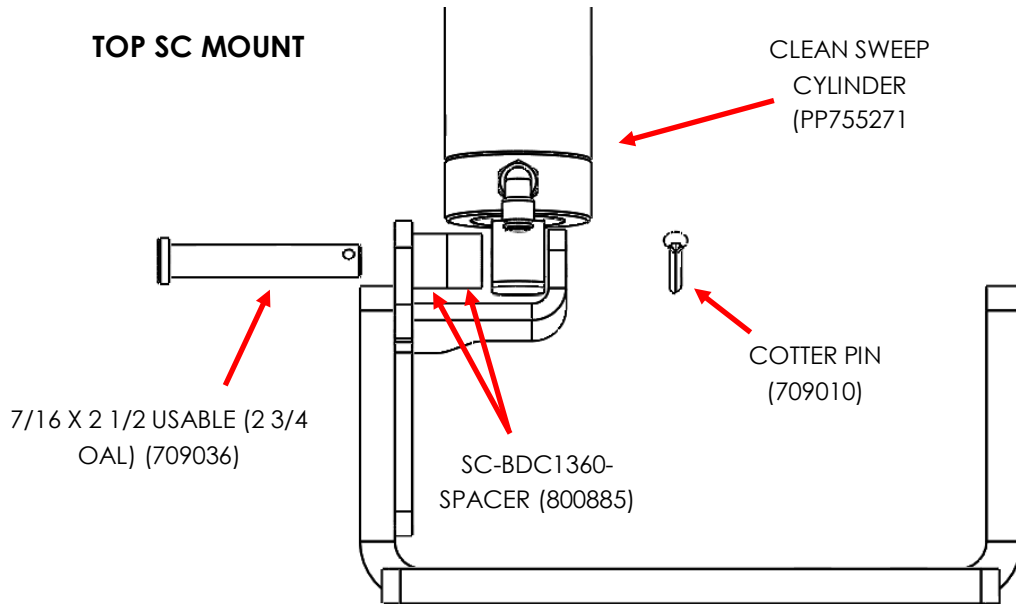
INSTALLING SB01 STOP BLOCK WITH SPACER

1. Using provided 3/8-16 x 1 3/4 Hex Bolts and 3/8-16 Flange Nuts, install the Spacer to the frame before installing the SB01 Stop Block.

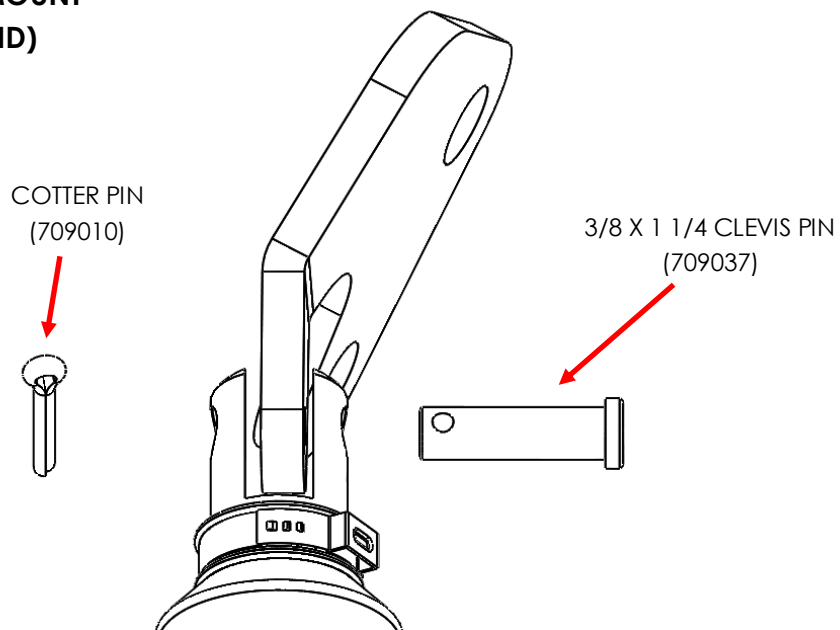


INSTALLING CYLINDER PINS AND SPACERS

1. Use 7/16 x 2 1/2 Usable (2 3/4" Length Overall) Clevis and 2 x SC-BDC1360 Spacers (800885) to the outside of the Top Cylinder Bracket as shown below.
2. Use 3/8 x 1 1/4" Clevis to Mount the cylinder to the bottom brackets on the frame.
3. Use provided Cotter pins to secure Clevis pins.



**BOTTOM SC MOUNT
(FRAME END)**





The most trusted name in no-till
Established 1991

Martin Industries LLC

206 Elk Fork Road

Elkton, KY 42220

Telephone: 270-265-5817

E-Mail: martin@martintill.com