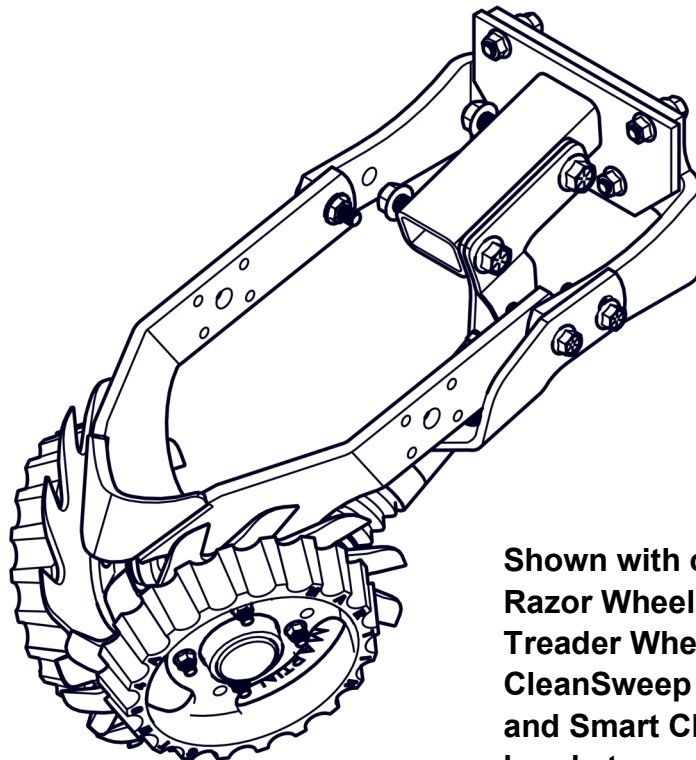


# **1360 JD Double Disk**

## **Row Cleaner**

### **INSTALLATION INSTRUCTIONS**



Shown with optional  
Razor Wheels, Side  
Treader Wheels,  
CleanSweep Cylinder  
and Smart Clean  
brackets.



### **Martin Planter Attachments**

**Martin Industries LLC**

206 Elk Fork Road

Elkton, KY 42220

Telephone: 270-265-5817

E-Mail: [martin@martintill.com](mailto:martin@martintill.com)

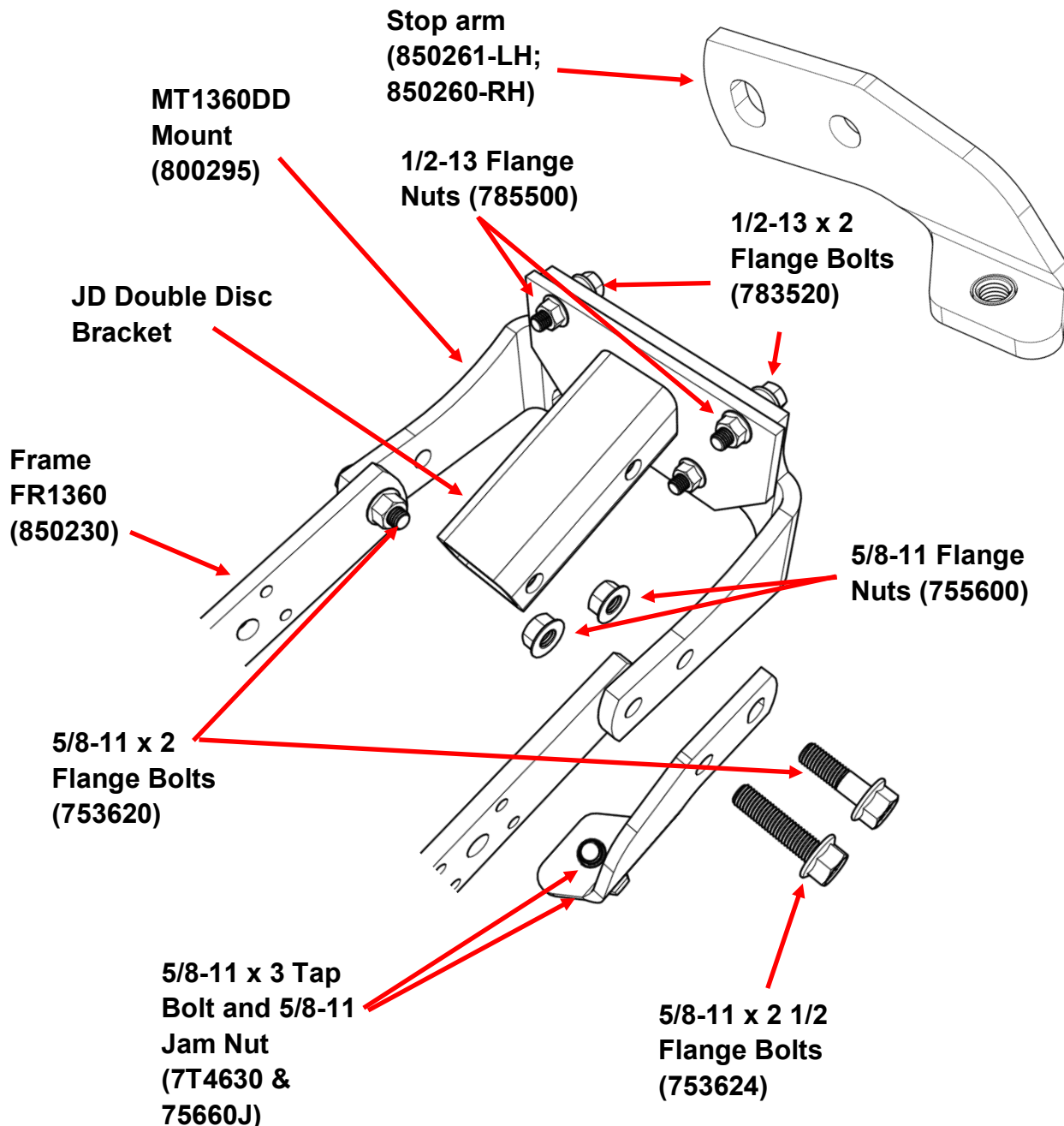
[www.martintill.com](http://www.martintill.com)

## Mount and Stop Arm Installation

Place MT1360DD (800295) onto JD Row Unit face plate with the JD Double Disc Opener not installed yet. Insert top 2 x 1/2-13 x 2 Flange Bolts from the back of the faceplate and through the MT1360DD mount. Place DD opener on 1/2-13 x 2 Bolts and install 1/2-13 Flange nuts. Install the bottom bolts and nuts. Torque to 55 ft-lbs once all nuts are installed.

Install frame as shown below. Stop arm (850261-LH shown) should be installed on opposite side from the opener. Use provided 5/8-11 Hardware and 800510 Bushing inside the frame arms. Torque to 112 ft-lbs. Check after first day of use.

With Frame installed, lift frame and adjust the tap bolt and jam nut to desired minimum depth setting.



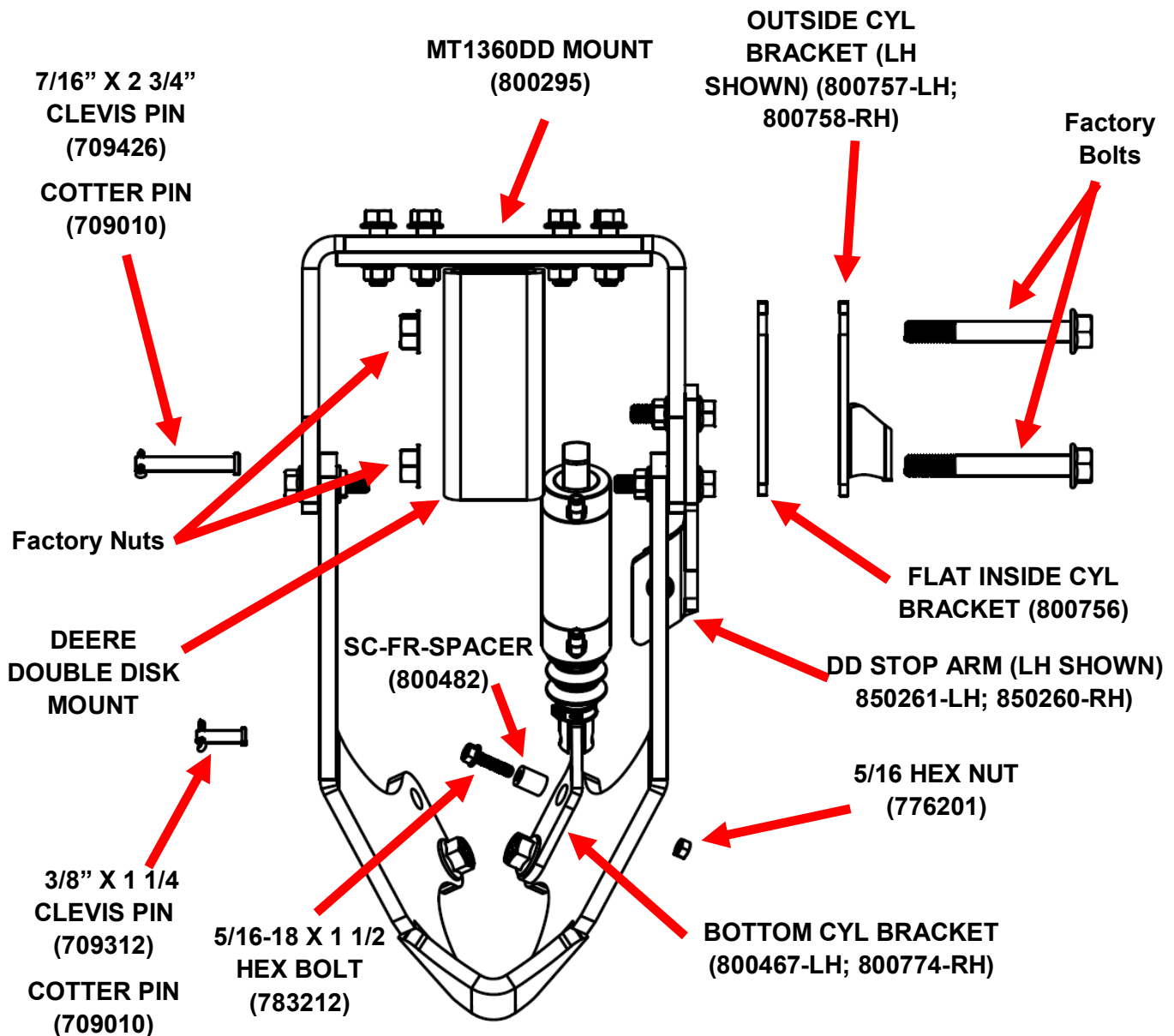
## Optional Cylinder Mount Installation

Install top cylinder brackets to the opposite side from your Deere Double Disk Opener with Factory Metric Bolts. Flat (inside) bracket (800756) should be installed directly to the Deere Fertilizer Mount as shown, with bent (outside) bracket (800757-LH or 800758-RH) installed next.

Use provided 7/16" x 2 3/4" Clevis Pin (709426) and cotter pin (709010) to install cylinder to top brackets.

For bottom bracket, with wheel off (right or left depending on fertilizer placement) install bottom cylinder bracket (800467-LH or 800774-RH) using 5/16-18 x 1 1/2 hex bolt (754214), SC-FR-Spacer, 2x 5/16 Washers (758200) and 5/16-18 hex nut (776201).

Use provided 3/8" x 1 1/4 Clevis Pin (709312) and Cotter pin to install cylinder to bottom bracket.





**The most trusted name in no-till**  
**Established 1991**

**Martin Industries LLC**

206 Elk Fork Road

Elkton, KY 42220

Telephone: 270-265-5817

E-Mail: [martin@martintill.com](mailto:martin@martintill.com)

[www.martintill.com](http://www.martintill.com)