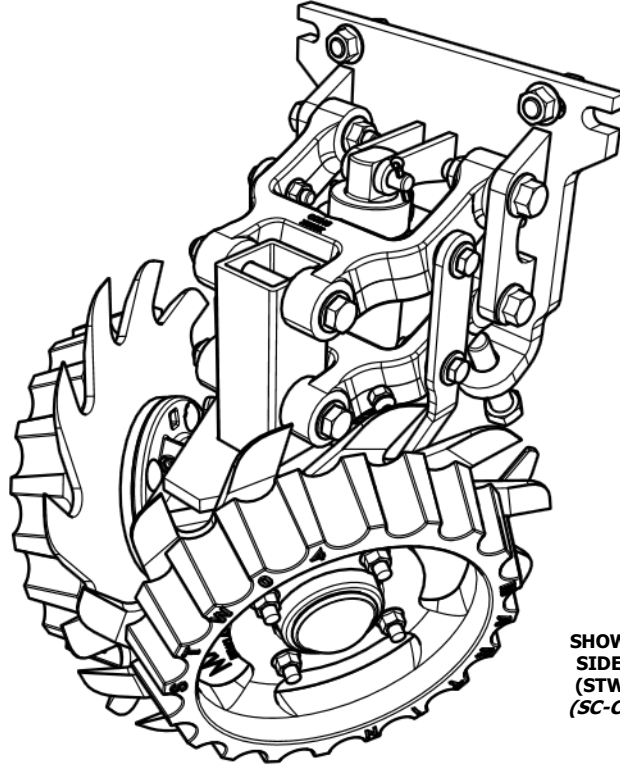


# ACCR 1360

**PARALLEL ARM COMPACT CLEAN RIDE ROW CLEANER**

## **INSTALLATION INSTRUCTIONS**



SHOWN WITH OPTIONAL  
SIDE TREADER WHEELS  
(STW-04A) & CYLINDER  
(SC-CYL-2X2/PP755271 )



### **Martin Planter Attachments**

**Martin Industries LLC**

206 Elk Fork Road

Elkton, KY 42220

Telephone: 270-265-5817

E-Mail: [martin@martintill.com](mailto:martin@martintill.com)

[www.martintill.com](http://www.martintill.com)



## STEP 1 : ATTACH THE MOUNT TO THE PLANTER

The MTACCR Mount includes different hole patterns (four holes for each hole pattern) for different planters. Identify the right hole pattern that matches your planter.

Using four 1/2" X 2" **OR** two 1/2" X 1 1/2" bolts and two 1/2" x 2", depending on the row unit base plate thickness, attach the Mount and torque the lock nuts to 55 ft-lbs. Hardware must be installed as shown in the picture below.

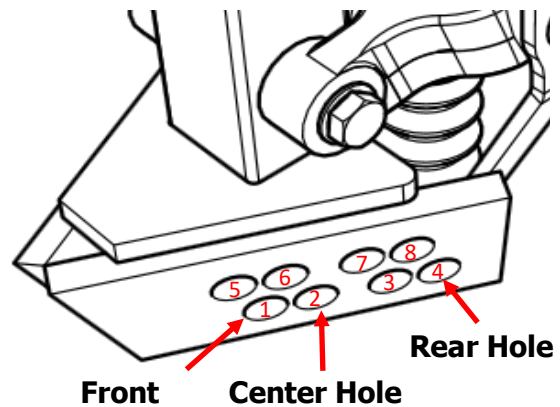
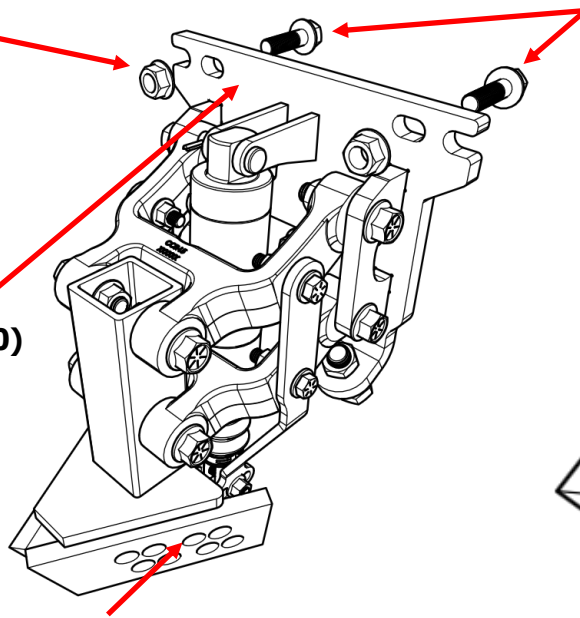
If you ordered ACCR1360 to fit Case IH 1200 series planter (ACCR1360-1200), adapter kit 900023 should be used to mount to your planter. Please contact our team or order online if not provided with your row cleaners. Please see pages 8 and 9. **Note: Mount and Cylinder Brackets will also be different when installing on a Case IH 1200.**

If installing on a Case IH 2000 without Heavy Duty Adapter, use L brackets (CIH1360L/R) to install.

1/2" FLANGE  
NUT (N12CFL)  
(785500)

1/2" x 1 1/2" or 1/2" x 2" FLANGE  
BOLT  
(B5F12NC112)/(B8F12NC2)  
(783514)/(783520)

MTACCR (850320)



Use Top Row For Case IH 1200

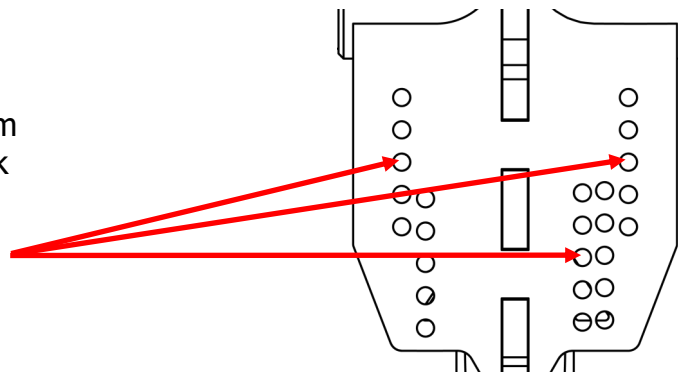
Front Center Hole Rear Hole

As shown in the picture above, Each Stem's side plate has two rows of holes (8 holes total). One of the holes on each side must be selected based on your soil condition and your planter manufacturer to attach the wheel assembly to the stem.

The bottom three holes (Numbers 1, 2, and 4 in the picture) are used as described on page 3 for different wheel configurations. Substitute the bottom holes with matching top holes (Numbers 5, 6 and 8) **only for Case IH 1200 planters**. The remaining holes (Numbers 3 and 7) are not used for attaching wheels and only are only used to lock the Deflectors (page 5).

If installing on a Horsch Planter, use outside middle row of holes (third from top) for the top holes in MTACCR Back plate.

**Note: Only 3 holes will line up with our Mount.**



## STEP 2 : DETERMINE THE BEST WHEEL CONFIGURATION FOR YOUR SOIL CONDITIONS

Three different wheel configurations are shown from the top views.

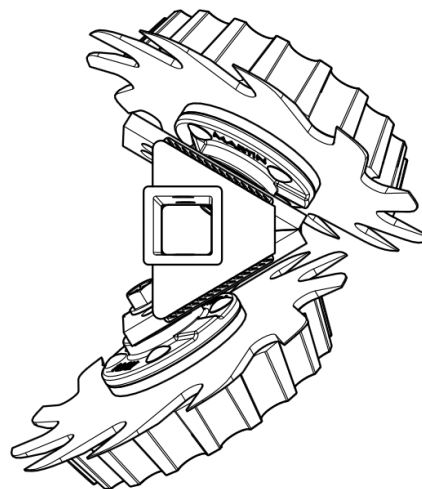
### OPTION A: OFFSET

**ONE WHEEL IN REAR HOLE (Hole number 4)**

**ONE WHEEL IN FRONT HOLE (Hole number 1)**

The staggered configuration allows the wheels to turn more easily in loose soil.

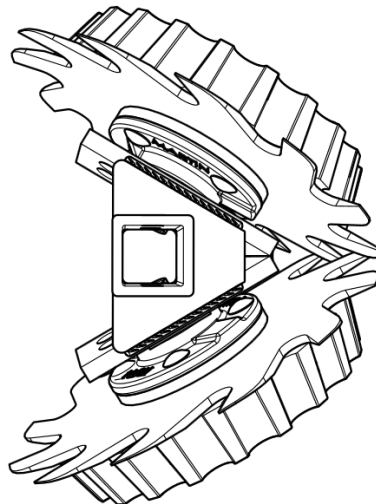
With this staggered configuration, we suggest running the left wheels in the rear hole on the half of the planter and the right wheels in the rear hole on the other half of the planter (when viewed from behind).



### OPTION B: INTERSECTED

**BOTH WHEELS IN CENTER HOLE (Hole number 2)**

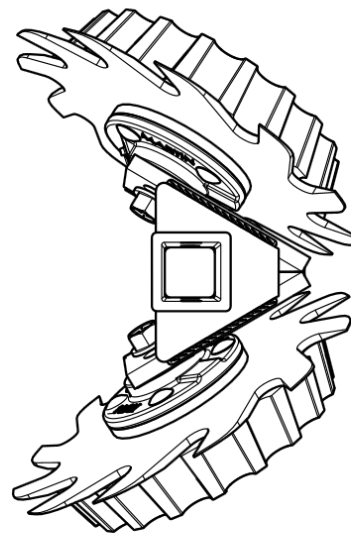
Both wheels forward provides maximum cleaning effect and the interlocked wheels till the middle of the seed row.



### OPTION C: BOTH SIDES RETRACTED

**BOTH WHEELS IN REAR HOLE (Hole number 4)**

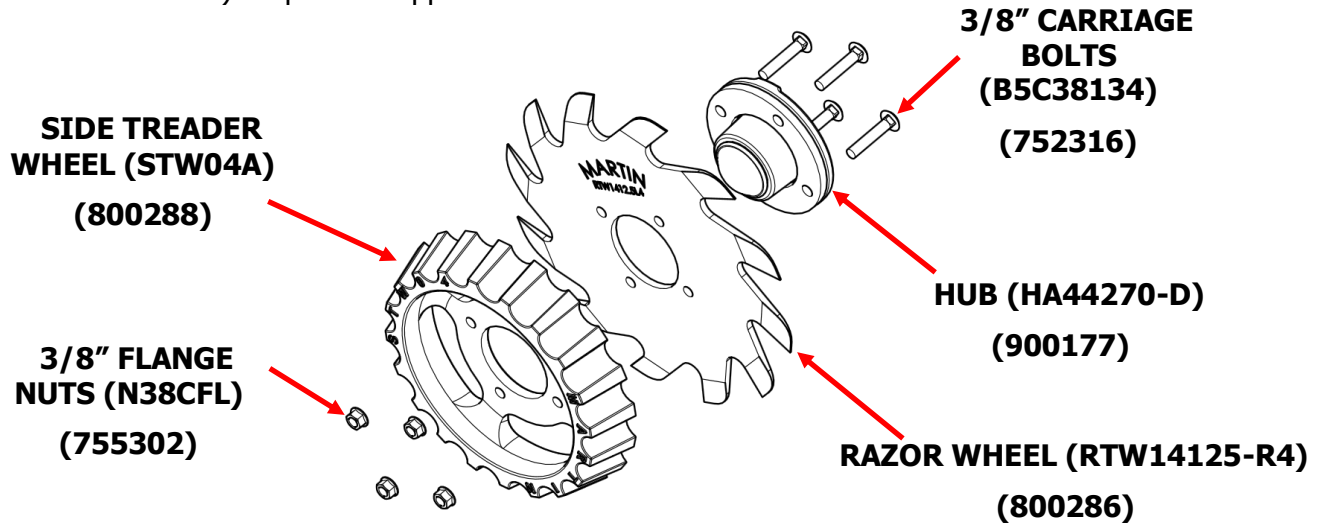
With wheels mounted in the back holes this is a Less aggressive setting.



**NOTE: Use top holes (Hole numbers 5 to 8) instead of bottom holes (Hole numbers 1 to 4) for Case IH 1200 planters.**

### STEP 3 : ASSEMBLE THE WHEEL TO THE HUB

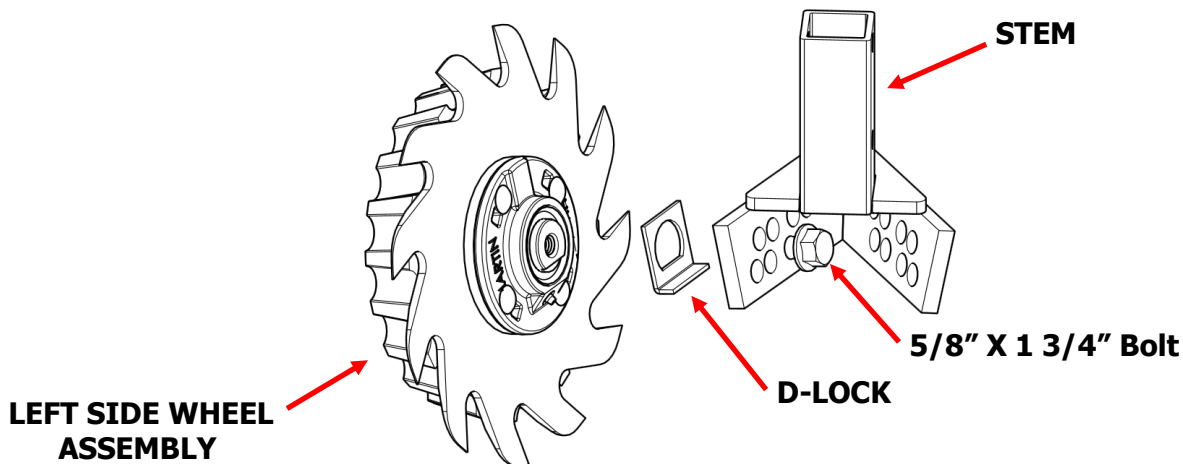
- 1) Install the wheel (part # to the outside) and side treader wheel on the hub, using the four 3/8" carriage bolts and flange nuts. Torque to 23 ft-lbs. Re-tighten after first day's use.
- 2) The wheel marked TW3813-R4 or RTW14125-R4 is for use on the right side of the frame (as viewed from behind the machine). Repeat for opposite side.



### STEP 4-A : ATTACH THE WHEEL ASSEMBLIES TO THE STEM USING D\_LOCK

- 1) Attach the D-lock to the end of the hub axle making sure it is flush with the end of the axle before bolting the axle to the frame.
- 2) Secure the hub to the frame with the 5/8"x 1 3/4" bolt. Using a torque-wrench, tighten to 112 ft-lbs. Re-tighten after first day's use.
- 3) Repeat process for opposite side .

**NOTE: Long D-Locks (DLR15) are used flipped upside down when running in top holes (Case IH 1200)**



## STEP 4-B : ATTACH THE WHEEL ASSEMBLIES TO THE STEM USING D-LOCK DEFLECTOR (SCRAPER)

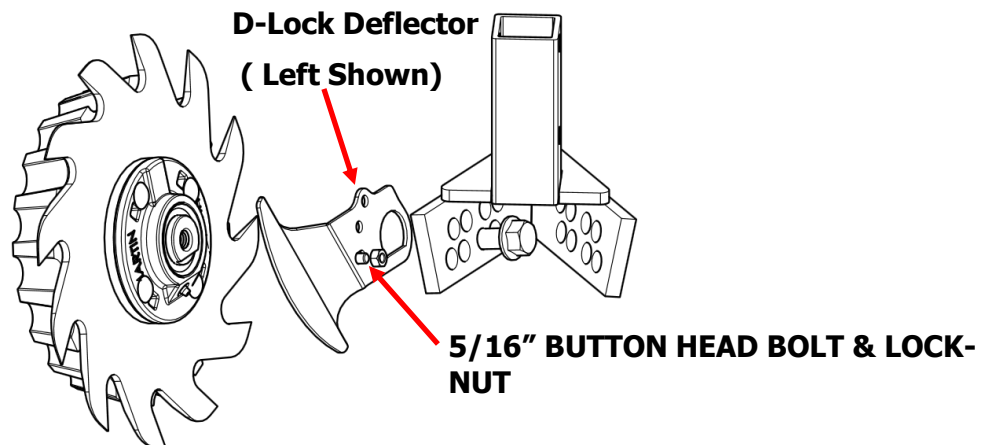
**NOTE:** The D-Lock Deflector (Scraper) is recommended (in place of the standard D-Lock) when operating in wetter conditions, or damp stringy residue, to reduce wrapping.

**NOTE:** Either the D-Lock deflector (illustrated below and on next page) or the D-Lock (illustrated on Previous page) must be installed to allow the 5/8" bolt to tighten without the hub rotating.

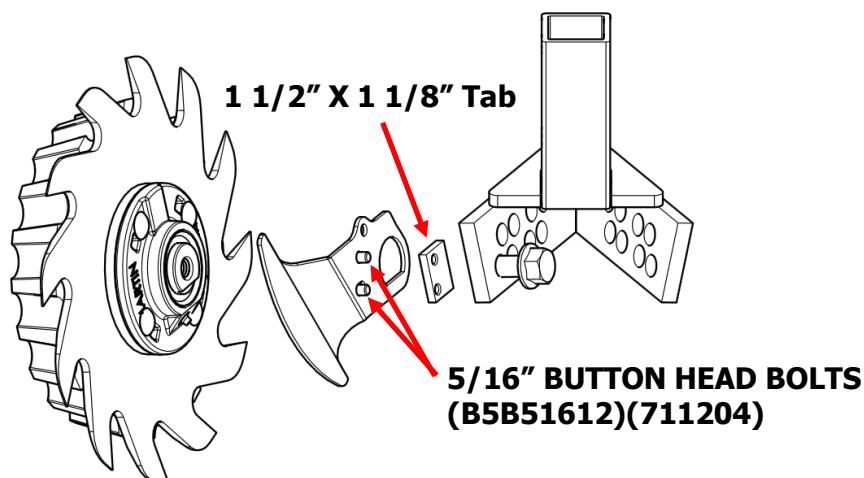
**NOTE:** Proper location of the D-Lock Deflector is determined by wheel configuration chosen on page 3.

**NOTE:** The D-Lock Deflectors come in left and right, Left Deflector is shown in below pictures.

- 1) If installing the wheel assembly into hole 1 or 2, attach one of the 5/16" X 1/2" button head bolts and 5/16" lock nuts to the Deflector as shown in the picture . The locknut will fit in hole 3 (when installing the wheel assembly into hole 1) or hole 4 (when installing the wheel assembly into hole 2) and prevent the Deflector from free rotation.



- 2) If installing the wheel assembly into hole 4 , use two 5/16" X 1/2" button head bolts to attach the provided 1 1/2" X 1 1/8" Tab as shown in the picture . The tab will stay against the edge of the stem and prevent the Deflector from free rotation.

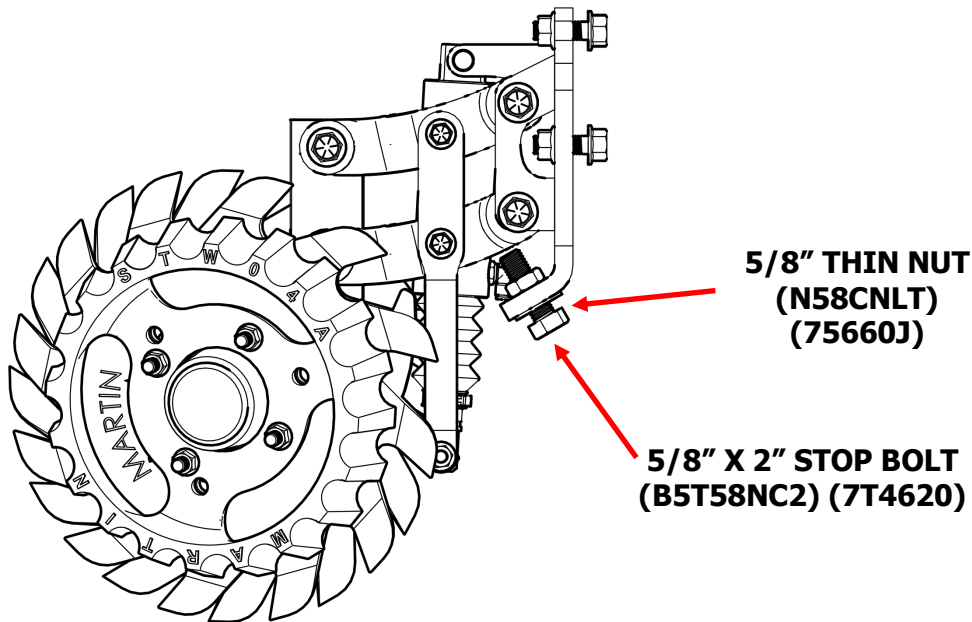


- 3) Attach the Deflector to the end of the hub axle making sure it is flush with the end of the axle before bolting the axle to the frame.
- 4) Secure the hub to the frame with the 5/8" X 1 3/4" bolt. Using a torque-wrench, tighten to 112 ft-lbs. Re-tighten after first day's use.
- 5) Repeat process for opposite side .

## STEP 5 : ADJUST THE STOP BOLT

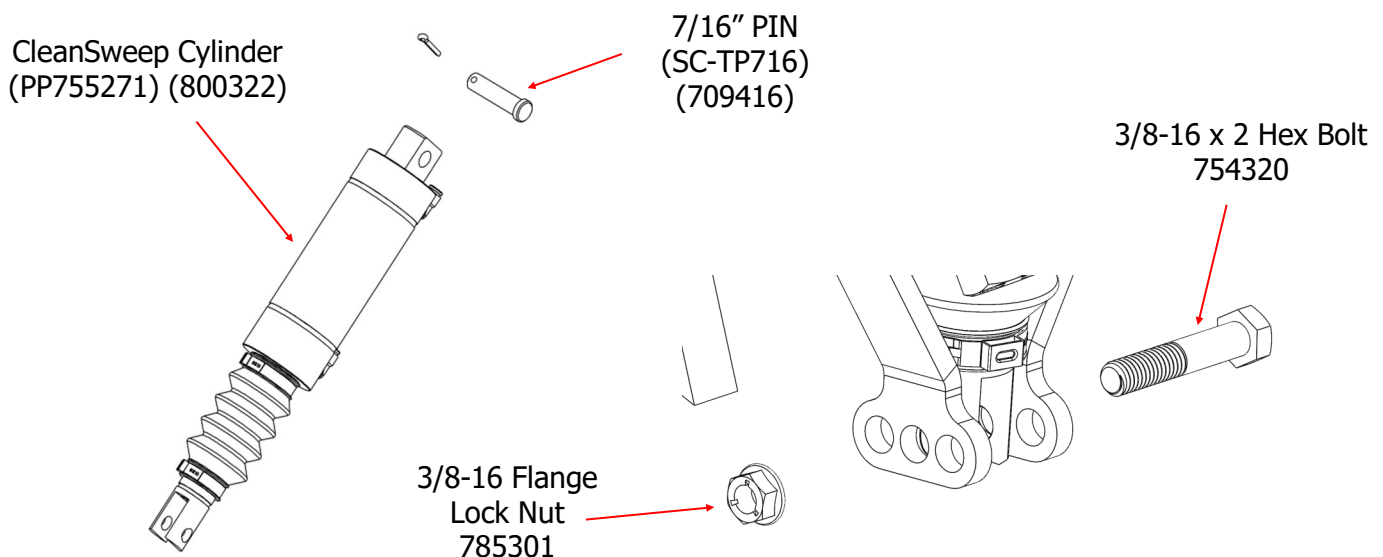
- 1) Use the 5/8" X 2" stop bolt to limit the lowest position of the row cleaner at the desired height.
- 2) Use the thin 5/8" nut to lock the stop bolt at the adjusted position.

**IMPORTANT NOTE:** It is very important to limit the row cleaner down travel by adjusting the stop bolt to prevent the air cylinder from extending fully by setting stop bolt to catch the row cleaner just before the cylinder reaches the end of its stroke. Failure to do so will destroy the cylinder prematurely.



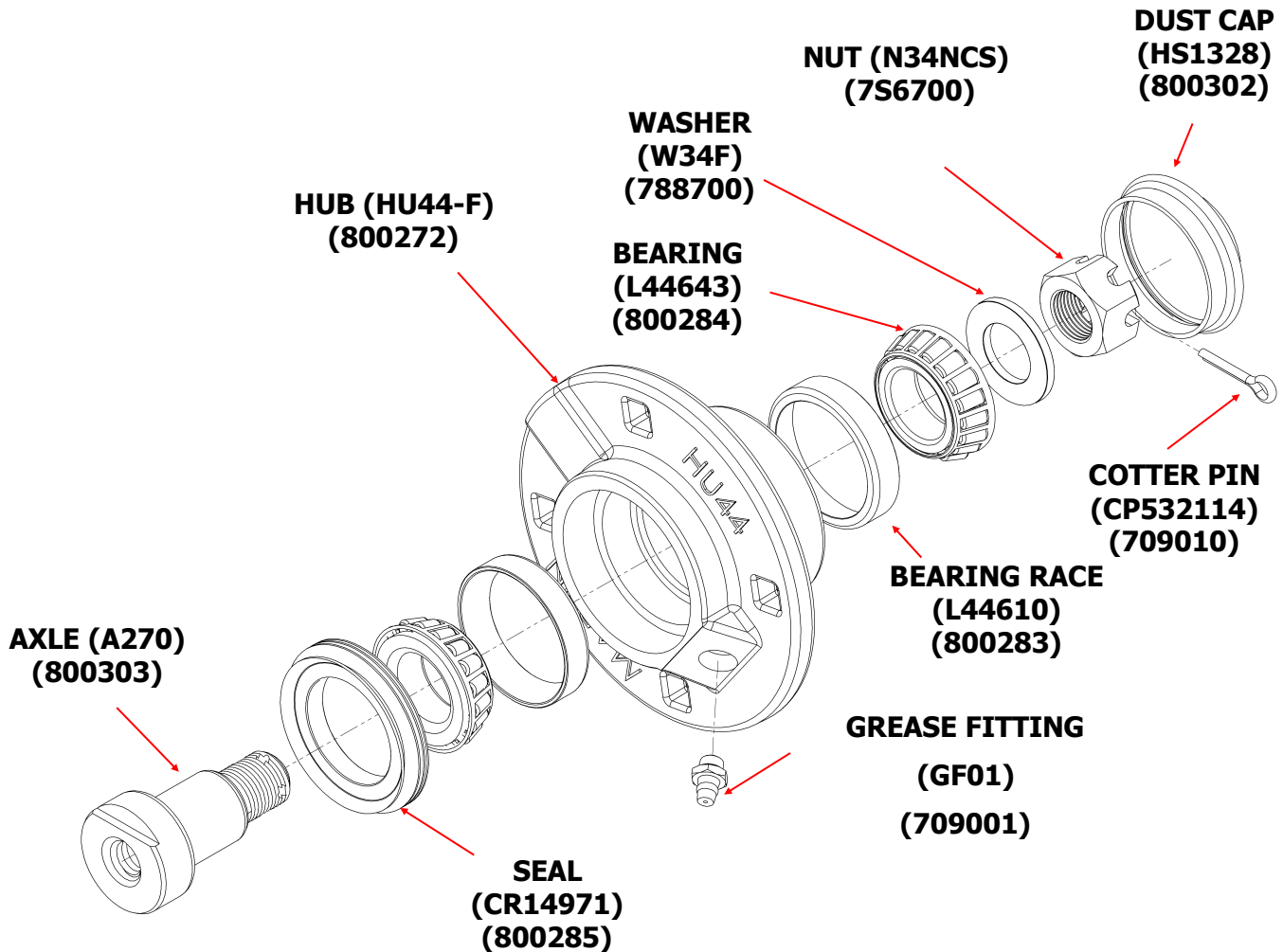
## STEP 6 : CONNECT THE AIR LINES TO THE CYLINDER

- 1) Connect the up and down air lines to the cylinder elbow connectors.
- 2) Switch the lines if the cylinder moves the row cleaner in opposite direction of what you would expect.
- 3) Connect top of Cylinder to Mount with 7/16 Clevis pin and Cotter pin. Connect bottom of cylinder with provided 3/8-16 x 2 Hex bolt and 3/8-16 Flange Lock Nut.





## PARTS LIST FOR 1360 HUB ASSEMBLY (HA44270-D)



### Row Cleaner Hub Preventative Maintenance

The Row Cleaner hub is designed to be “flushed out” with lubrication, without damaging the triple lip seal. To “flush” the hub, lubricate until fresh grease is visible around the seal.

- In most conditions annual lubrication of the Row Cleaner hub is sufficient
- More frequent lubrication is recommended in dusty or sandy conditions

**NOTE:** Hubs may feel tight when first installed. They will loosen after they “run in”.

### Row Cleaner Hub Bearing Preload Adjustment

Maintaining proper bearing preload is crucial to bearing life. Monitor and adjust annually. To adjust:

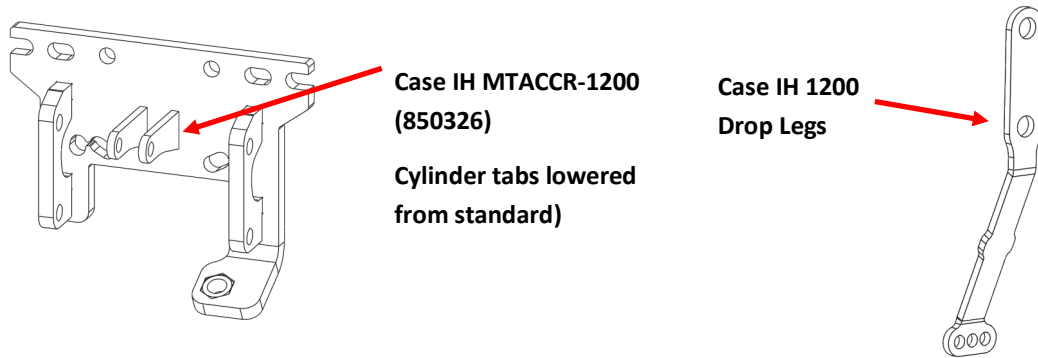
- Remove the dust cap
- Remove the cotter pin
- Tighten the 3/4” nut until you feel zero end play
- Gently back the nut off, leaving .01” - .012” end play
- Replace the cotter pin and dust cap

# Case IH 1200 SERIES PLANTERS

To install a ACCR1360 or ACCR1345 to a Case IH 1200 or 1250 Planter Row unit, the below parts are used:

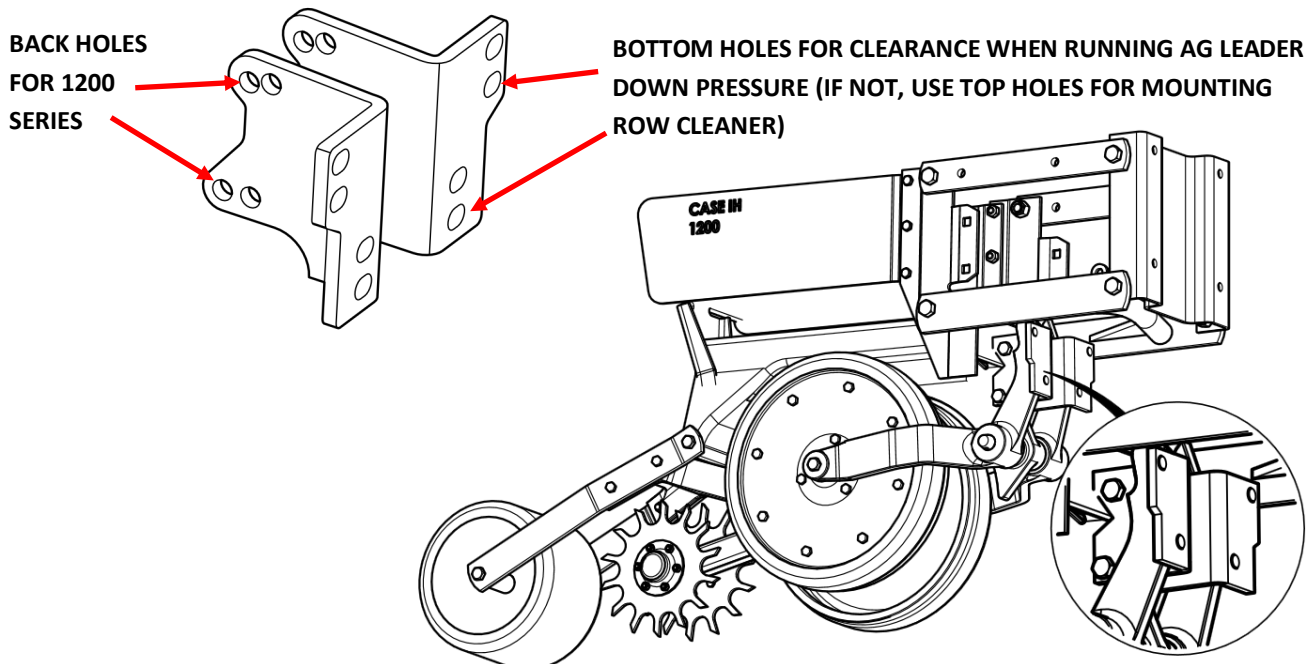
- MTACCR1200 Mount Plate (850326) (Upper Cylinder Tabs are welded on lower than a standard mount)
- 2 x ACCR1200 Drop Legs (800025) (These are longer than standard).
- CIH1360L and CIH1360R L Brackets (800527 and 800528)
- 2 x CIH1200ST (800539) (These are travel limits for the linkage)
- Mounting Hardware shown on Page 2.
- 2 x DLR15 (Long D-Locks)

Note: If installing new, Mount Plate and Drop Legs pre-assembled at plant as ACCR1360-1200 or ACCR1345-1200. If converting from standard ACCR units, the mount plate and drop legs will need to be purchased along with the 900023 Kit.



## Step 1:

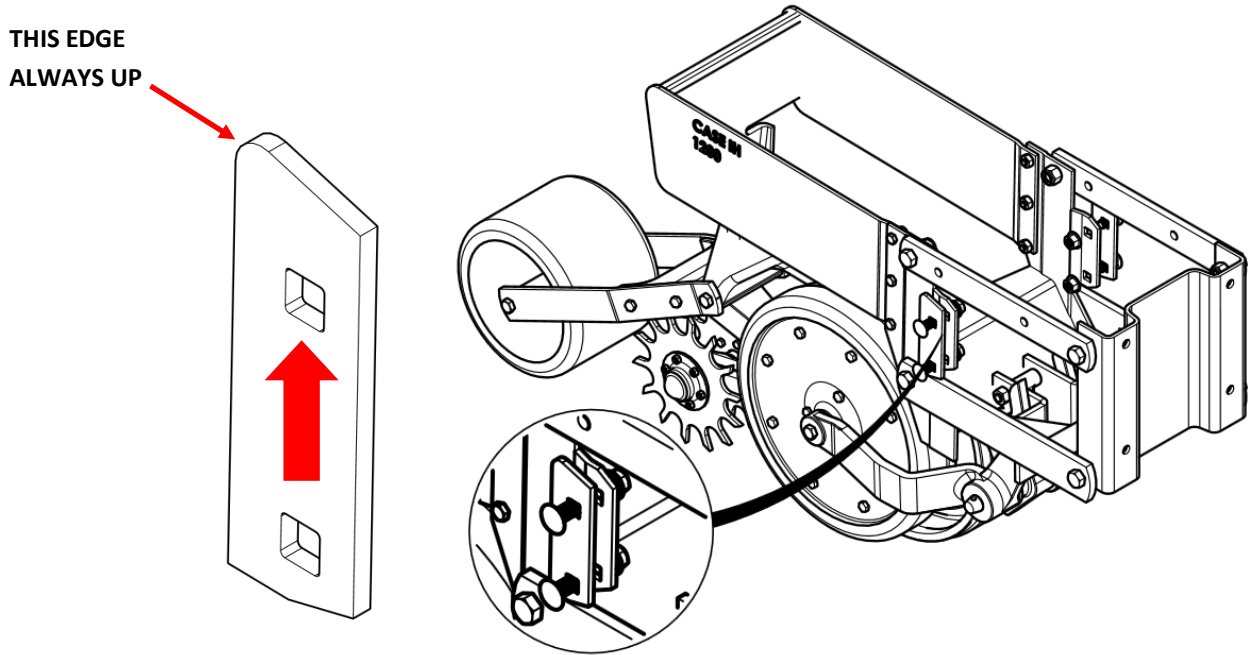
Attach the L shape brackets using provided two 1/2" X 3 1/2" Grade 8 bolts and nuts as shown in the picture using the back holes in the Brackets. Torque to 80 ft-lbs.





Step 2:

Attach Travel Limit Brackets CIH1200ST on top of the standard travel limit of the planter on both sides using provided 1/2 " X 1 1/4" Carriage bolts and nuts as shown in the picture.



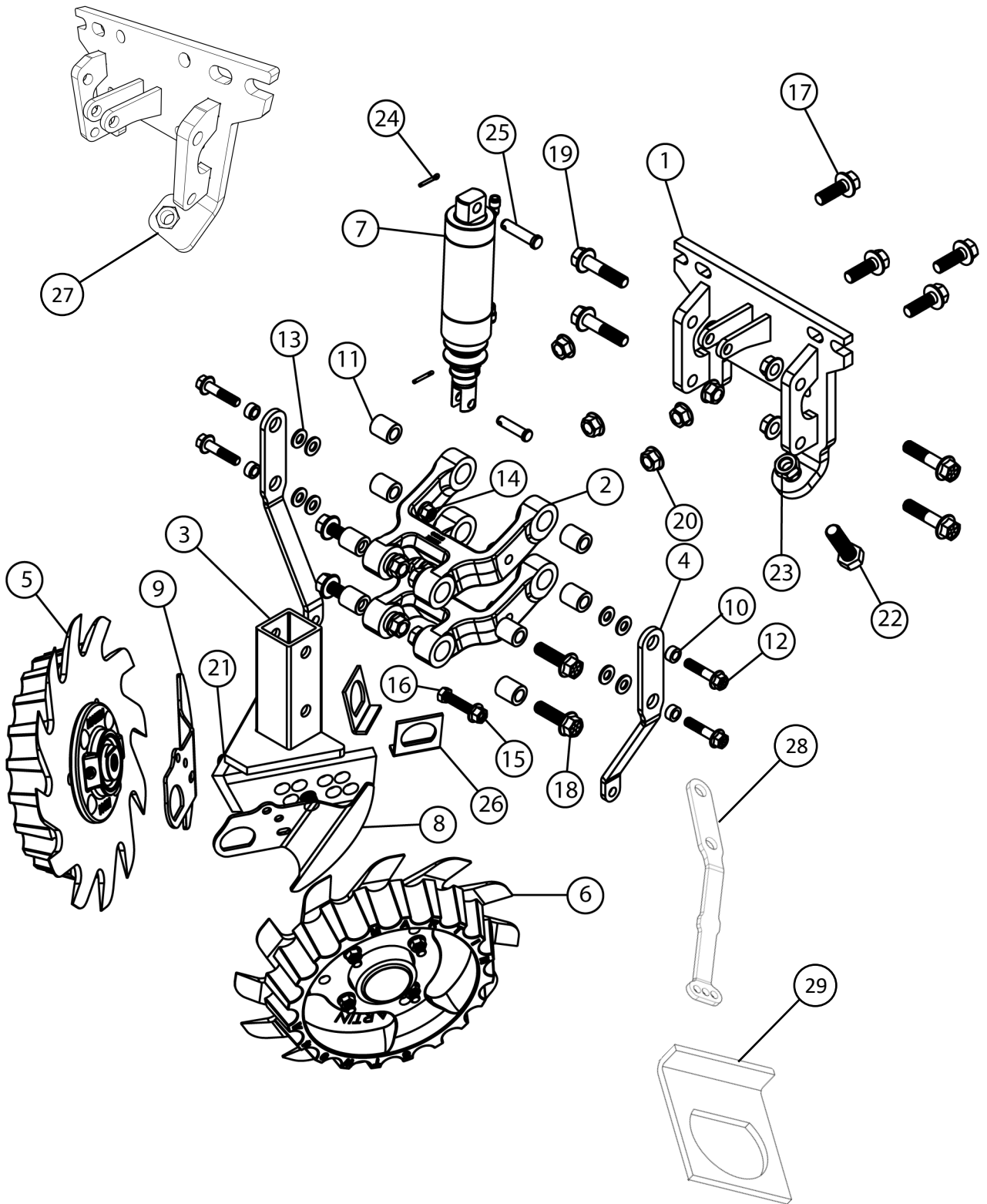
**BILL OF MATERIAL**

ITEM NO.	PART NUMBER	DESCRIPTION	QTY
1	CIH1360L (800527)	3/8 CASE IH MT	1
2	CIH1360R (800528)	3/8 CASE IH MT	1
3	CIH1200ST (800539)	STOP, ROW UNIT UP TRAVEL LIMIT	2
4	BCS0217 (752512)	BOLT, 1/2-13 X 1 1/4 CARR GR8	4
5	N12CNL (787500)	NUT, 1/2-13 Nyloc GR8	6
6	BFS0133 (783534)	BOLT, 1/2-13 X 3 1/2 FL GR8	2

## PARTS LIST FOR ACCR 1360

ITEM NO.	PART NUMBER	DESCRIPTION	QTY
1	850320 MTACCR	MOUNT, ACCR 1360/1345	1
2	800320 CCR-L5	LINK, CAST MACHINED CCR	2
3	850358 1360STEM	STEM, 1360	1
4	800069 SC1360CCR	ARM, CYL SUPPORT	2
5	900098 ARTW125R27044STW	ASSY, RAZOR W/ RC HUB W/STW RH	1
6	900097 ARTW125L27044STW	ASSY, RAZOR W/ RC HUB W/STW LH	1
7	800322 SC-CYL-2X2/PP755271	CYL, SMART CLEAN 2X2	1
8	800231 DLD-02L	SCRAPER, LEFT HAND	1
9	800230 DLD-02R	SCRAPER, RIGHT HAND	1
10	800056 BU5838	BUSHING, PIVOT, 5/8 OD X 3/8 OD	4
11	800245 BU7812	BUSHING, 7/8 OD X 1/2 ID	8
12	753316 B8F38NC134	BOLT, 3/8-16 X 1 3/4 FL GR8	4
13	758300 W38	WASHER, 3/8 SAE FLAT	8
14	755301 N38CFL	NUT, 3/8-16 FL PT GR8	4
15	754320 B5M38NC2	BOLT, 3/8-24 X 2 HEX FT	1
16	785301	NUT, 3/8-16 FL PT	1
17	783514 B8F12NC112	BOLT, 1/2-13 X 1 1/2 FL GR8	4
18	783516 B8F12NC134	BOLT, 1/2-13 X 1 3/4 FL GR8	4
19	783522 B8F12NC214	BOLT, 1/2-13 X 2 1/4 FL GR8	4
20	785500 N12CFL	NUT, 1/2-13 FL PT GR8	12
21	783616P B5F58NC134	BOLT, 5/8-11 X 1 3/4 FL PTCH GR8	2
22	714620 B8M58NC2	BOLT, 5/8-11 X 2 HEX TAP GR8	1
23	75660J	NUT, 5/8-11 HEX JAM	1
24	709016	PIN, 1/8 X 3/4 COTTER	1
25	709416	PIN, 7/16 X 1 3/4 CLEVIS	1
26	800231 DLR-01	LOCK, D-LOCK	2
27	850326 MTACCR-1200	MOUNT, ACCR 1360/1345-1200 ONLY	1
28	800025 SC1360CCR-1200	ARM, CYL SUPPORT CASE IH 1200	2
29	800911 DLR-15	LOCK, D-LOCK (LONG)	2

# EXPLODED VIEW FOR ACCR 1360





**The most trusted name in no-till  
Established 1991**

**Martin Industries LLC**

206 Elk Fork Road

Elkton, KY 42220

Telephone: 270-265-5817

E-Mail: [martin@martintill.com](mailto:martin@martintill.com)