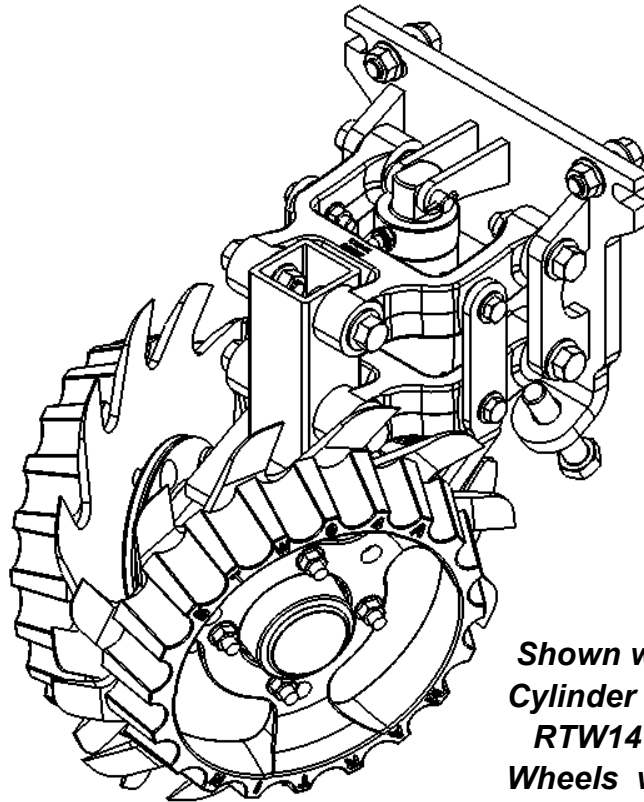


ACCR 1345

PARALLEL ARM COMPACT CLEAN RIDE ROW CLEANER

INSTALLATION INSTRUCTIONS



*Shown with optional Air
Cylinder (PP755271) and
RTW14125L/R4 Razor
Wheels w/ Side Treaders*



Martin Planter Attachments

Martin Industries LLC

206 Elk Fork Road

Elkton, KY 42220

Telephone: 270-265-5817

E-Mail: martin@martintill.com

www.martintill.com



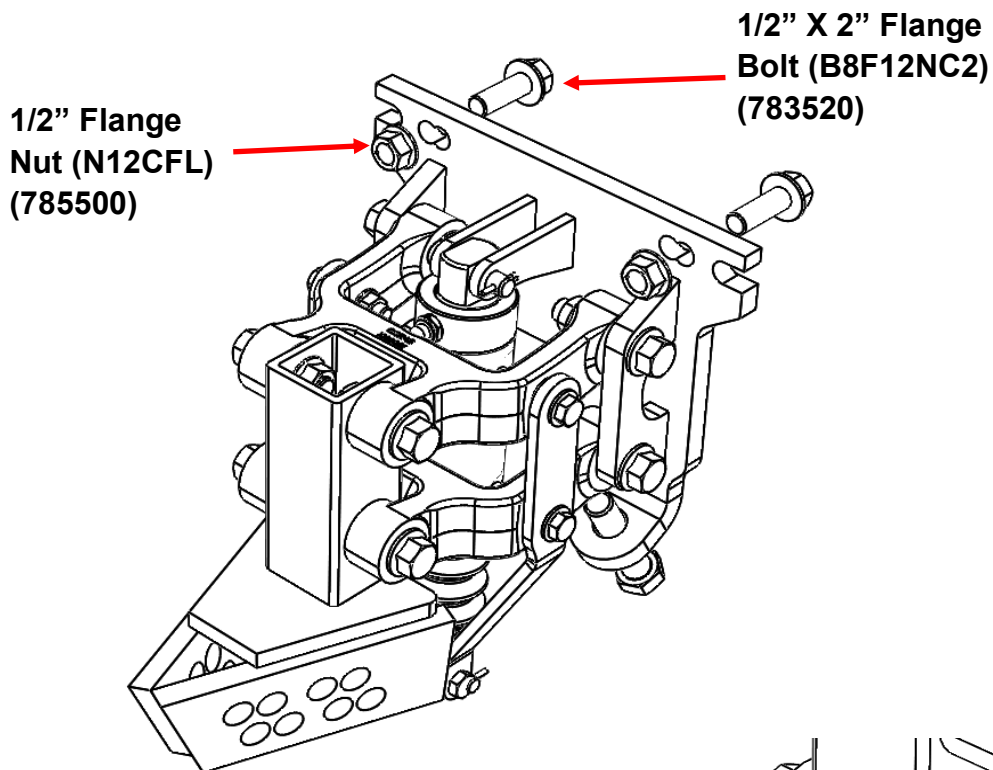
STEP 1 : ATTACH THE MOUNT TO THE PLANTER

The mount includes different hole patterns (four holes for each hole pattern) for different planters. Find the right hole pattern that matches your planter's hole pattern.

Using four 1/2" X 2" **OR** two 1/2" X 1 1/2" bolts and two 1/2" x 2", depending on the row unit base plate thickness, attach the Mount and torque the lock nuts to 55 ft-lbs. Hardware must be installed as shown in the picture below.

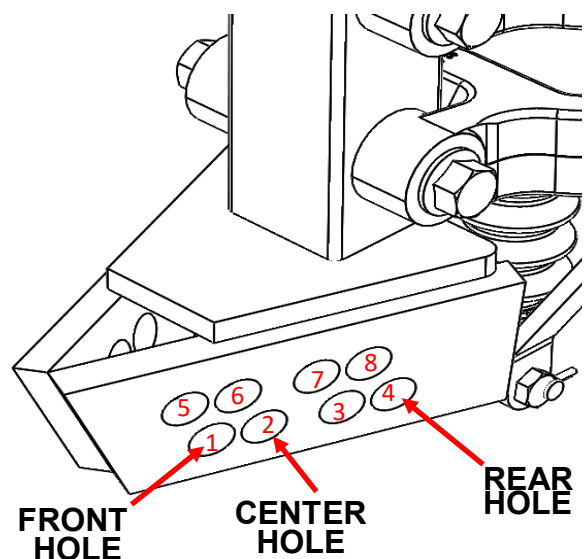
If you ordered ACCR1345 to fit Case IH 1200 series planter (ACCR1345-1200), adapter kit 900023 should be used to mount to your planter. Please contact our team or order online if not provided with your row cleaners. Please see pages 8 and 9.

If installing on a Case IH 2000 without HD Adapter, use L brackets (CIH1360L/R) to install.



As shown in the picture, Each Stem's side plate has two rows of holes (8 holes total). One of the holes on each side must be selected based on your soil condition and your planter manufacturer to attach the wheel assembly to the stem.

The bottom three holes (Numbers 1, 2, and 4 in the picture) are used as described on page 3 for different wheel configurations. Substitute The bottom holes with matching top holes (Numbers 5, 6 and 8) **only for Case IH 1200 planters**. Holes 3 and 7 are not used.



STEP 2 : DETERMINE THE BEST WHEEL CONFIGURATION FOR YOUR SOIL CONDITIONS

Three different wheel configurations are shown from the top views.

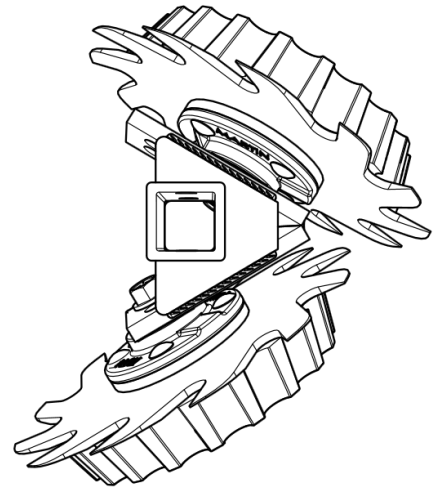
OPTION A: OFFSET

ONE WHEEL IN REAR HOLE (Hole number 4)

ONE WHEEL IN FRONT HOLE (Hole number 1)

The staggered configuration allows the wheels to turn more easily in loose soil.

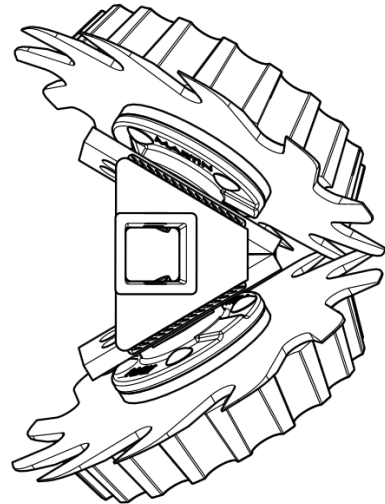
With this staggered configuration, we suggest running the left wheels in the rear hole on the half of the planter and the right wheels in the rear hole on the other half of the planter (when viewed from behind).



OPTION B: INTERSECTED

BOTH WHEELS IN CENTER HOLE (Hole number 2)

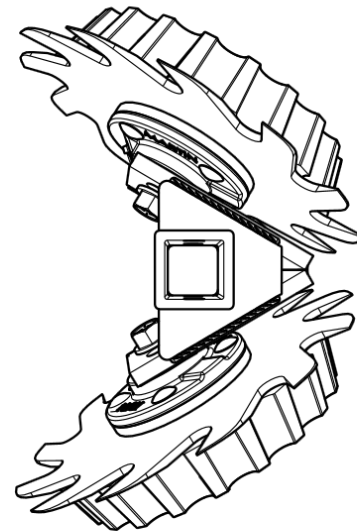
Both wheels forward provides maximum cleaning effect and the interlocked wheels till the middle of the seed row.



OPTION C: BOTH SIDES RETRACTED

BOTH WHEELS IN REAR HOLE (Hole number 4)

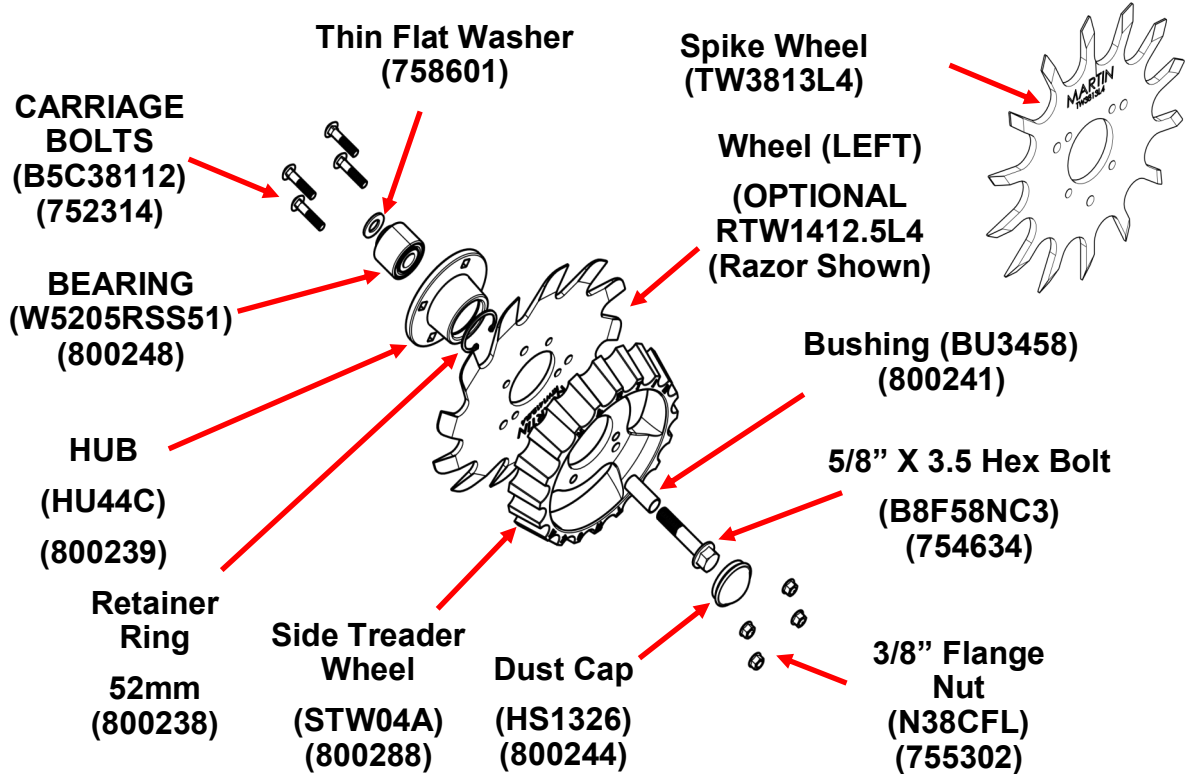
With wheels mounted in the back holes this is a Less aggressive setting.



NOTE: Use top holes (Hole numbers 5 to 8) instead of bottom holes (Hole numbers 1 to 4) for Case IH 1200 planters.

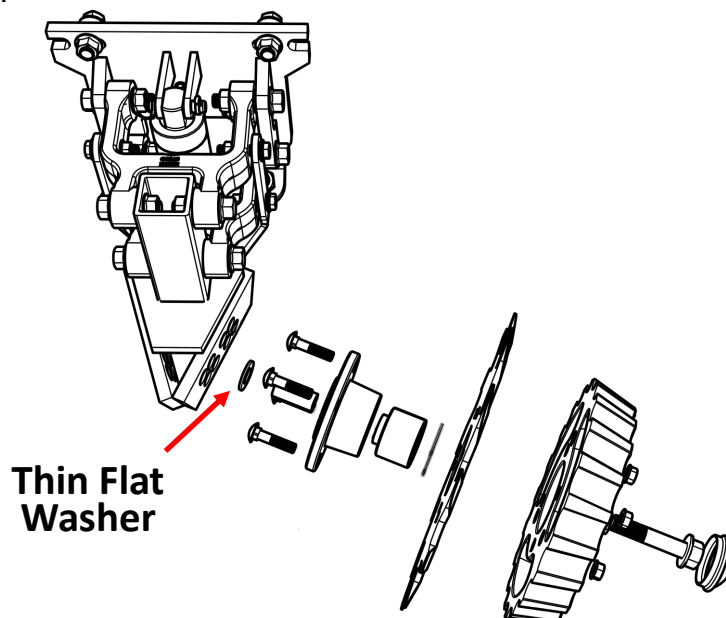
STEP 3 : ASSEMBLE THE WHEEL TO THE HUB

1. Install the wheel (part # to the outside) and side treader wheel on the hub, using the four 3/8" carriage bolts and flange nuts. Torque to 23 ft-lbs. Re-tighten after first day's use.
2. The wheel marked TW3813-R4 or RTW14125-R4 is for use on the right side of the frame (as viewed from behind the machine).(Left side wheel RTW14125-L4 shown) Repeat for opposite side.



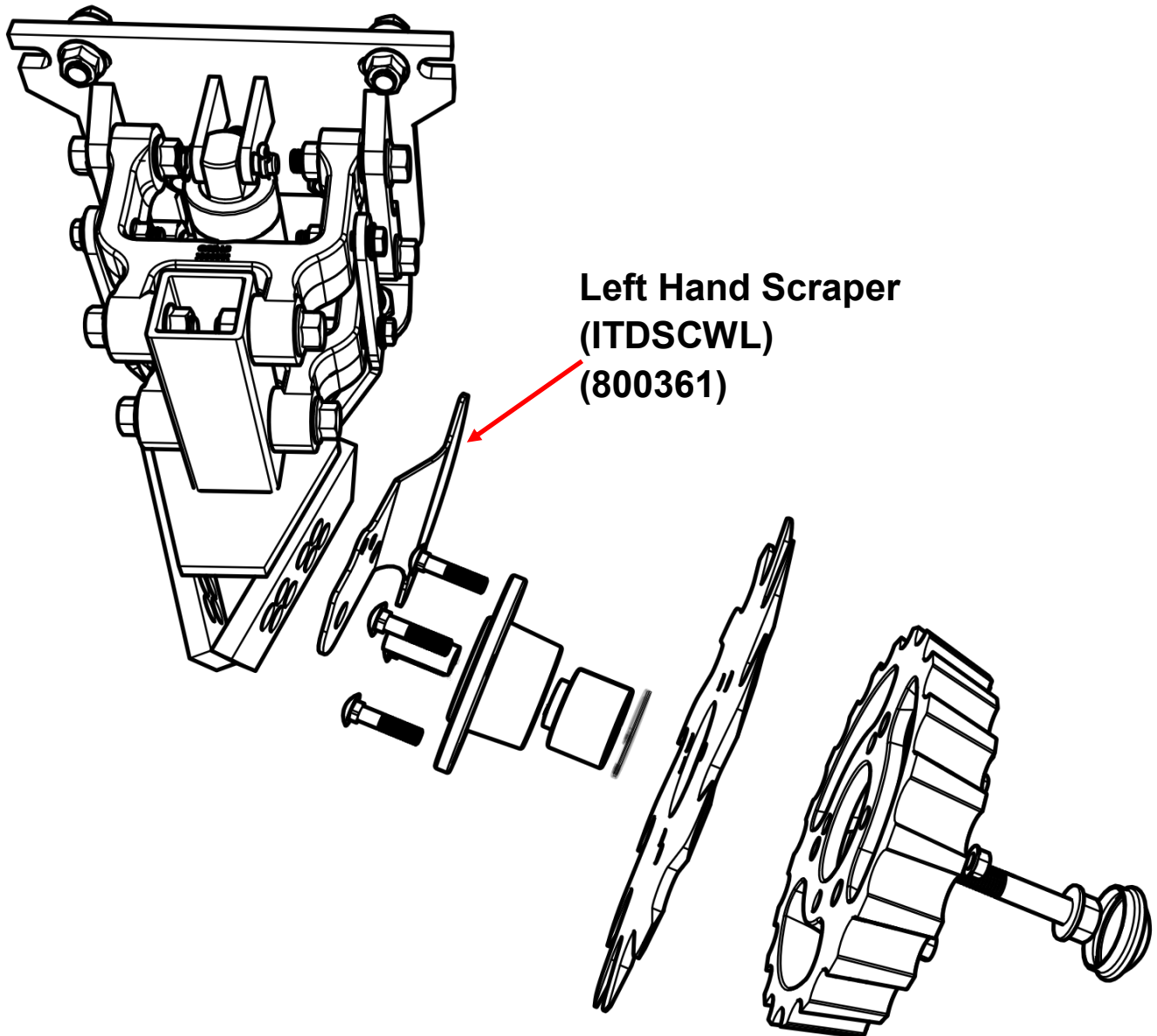
STEP 4A : ATTACH THE WHEEL ASSEMBLIES TO THE STEM

1. After you have selected the proper wheel configuration for your soil type, install the assembled wheel unit in the correct hole number using the 5/8" X 3.25" Hex bolt (B8M58NC314) with the flange nut (N58FLN) and the washer (758601), torque to 116 ft/ lbs, recheck torque after the first days use.



STEP 4B : ATTACH THE WHEEL ASSEMBLIES TO THE STEM WITH SCRAPERS

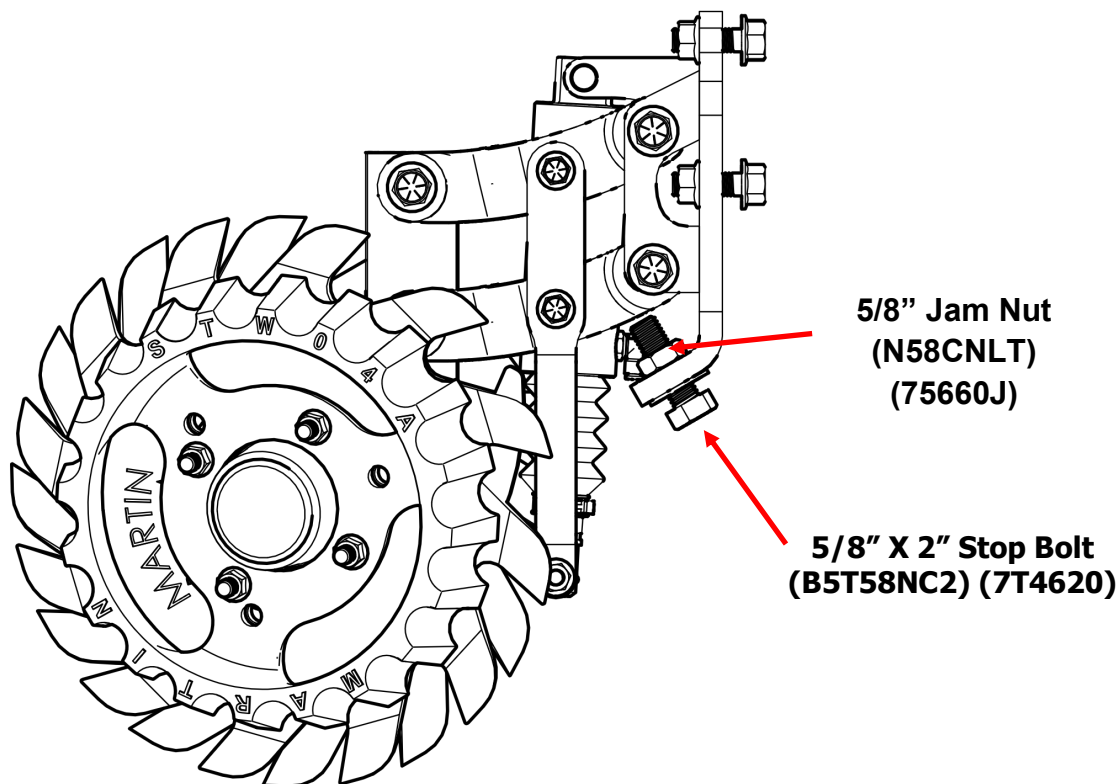
When installing the scrapers the washer (758601) IS NOT USED. Locate the scraper as shown and hold the scraper in position when torquing the Hex bolt to 116 ft/lbs. Recheck torque after the first days use. Scrapers are supplied in sets of 2 (1 RH and 1 LH) (Left side shown)



STEP 5 : ADJUST THE STOP BOLT

1. Use the 5/8" X 2" stop bolt to limit the lowest position of the row cleaner at the desired height.
2. Use the thin 5/8" nut to lock the stop bolt at the adjusted position.

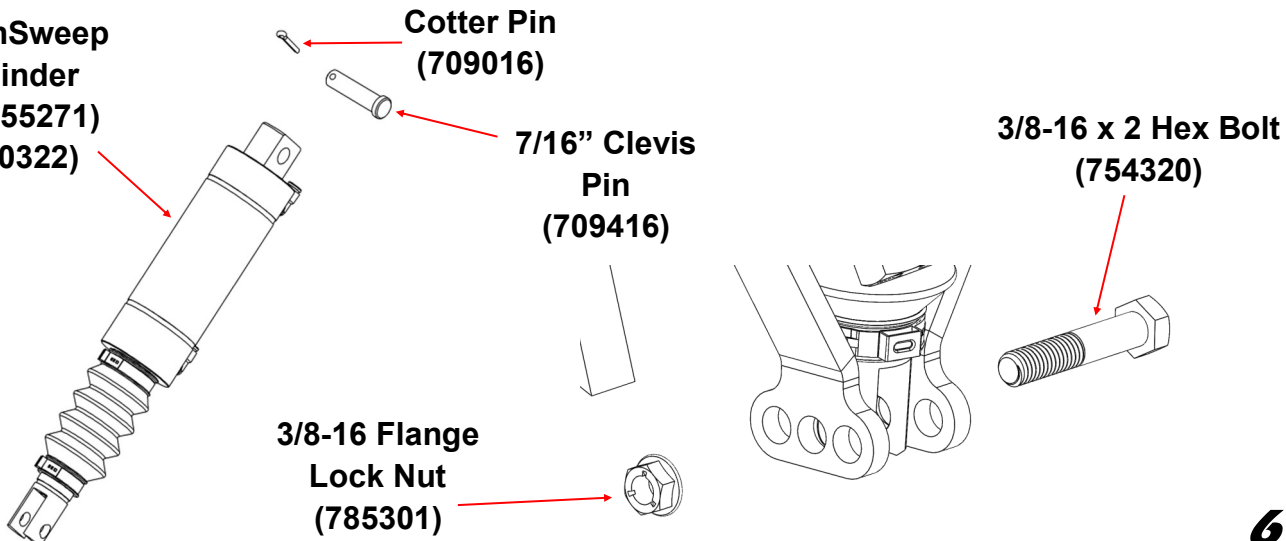
IMPORTANT NOTE: It is very important to limit the row cleaner down travel by adjusting the stop bolt to prevent the air cylinder from extending fully by setting stop bolt to catch the row cleaner just before the cylinder reaches the end of its stroke. Failure to do so will destroy the cylinder prematurely.



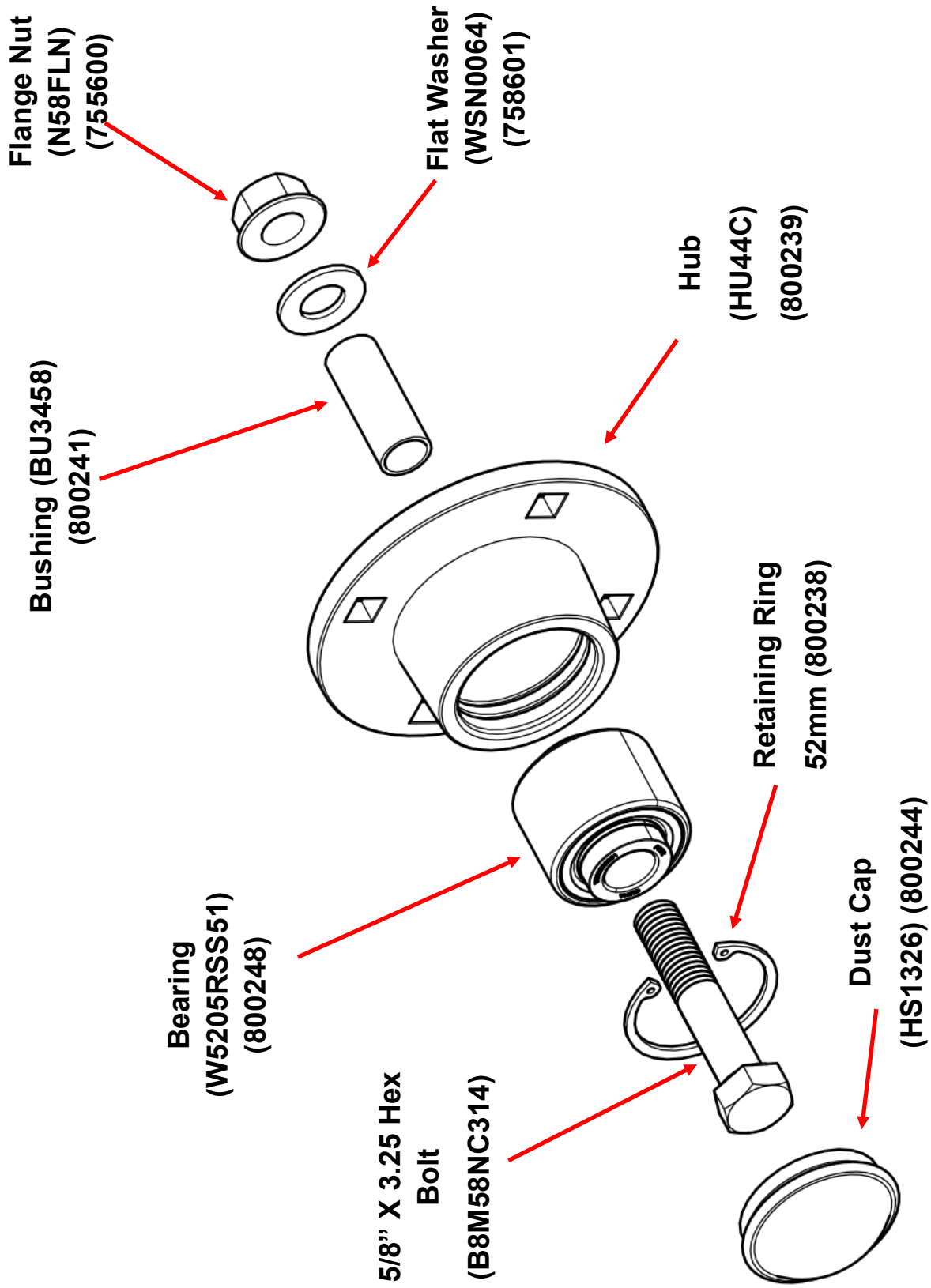
STEP 6 : CONNECT THE SMARTCLEAN AIR LINES TO THE CYLINDER

1. Connect the up and down air lines to the cylinder elbow connectors.
2. Switch the lines if the cylinder moves the row cleaner in opposite direction of what you would expect.

CleanSweep
Cylinder
(PP755271)
(800322)



PARTS LIST FOR 1345 C-HUB ASSEMBLY (HU44C) (900101)

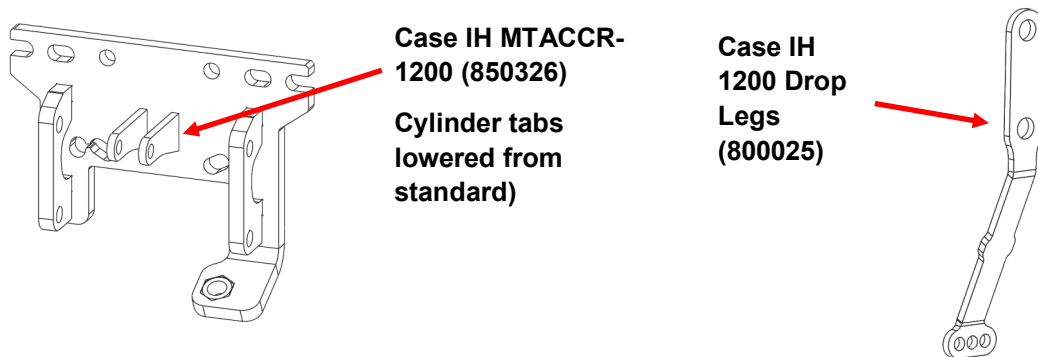


CaseIH 1200 SERIES PLANTERS

To install a ACCR1360 or ACCR1345 to a Case IH 1200 or 1250 Planter Row unit, the below parts are used:

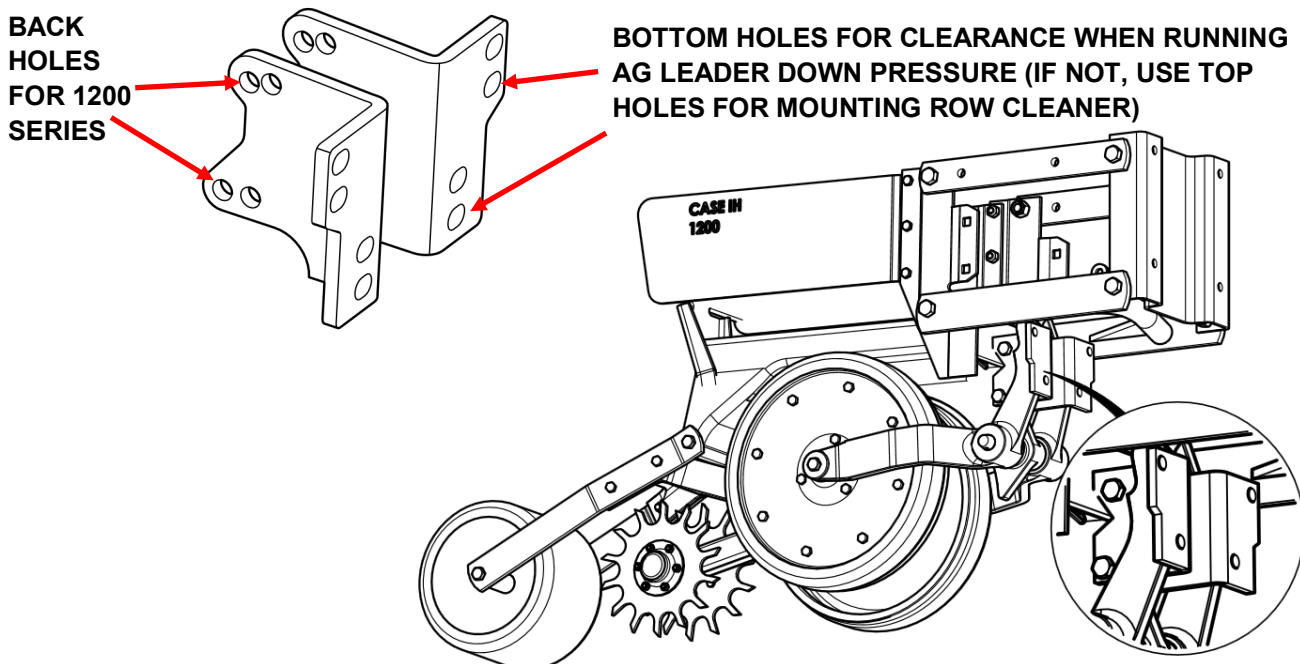
- MTACCR1200 Mount Plate (850326) (Upper Cylinder Tabs are welded on lower than a standard mount)
- 2 x ACCR1200 Drop Legs (800025) (These are longer than standard).
- CIH1360L and CIH1360R L Brackets (800527 and 800528)
- 2 x CIH1200ST (800539) (These are travel limits for the linkage)
- Mounting Hardware shown on Page 2.

Note: If installing new, Mount Plate and Drop Legs pre-assembled at plant as ACCR1360-1200 or ACCR1345-1200. If converting from standard ACCR units, the mount plate and drop legs will need to be purchased along with the 900023 Kit.



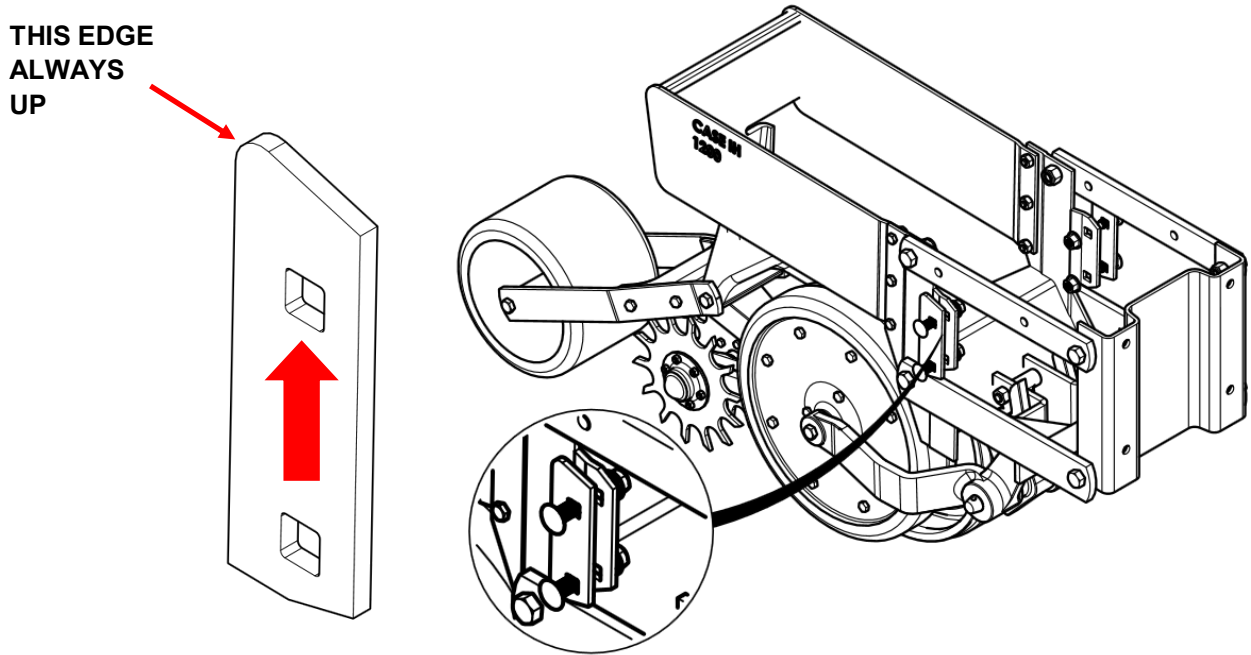
Step 1:

Attach the L shape brackets using provided two 1/2" X 3 1/2" Grade 8 bolts and nuts as shown in the picture using the back holes in the Brackets. Torque to 80 ft-lbs.



Step 2:

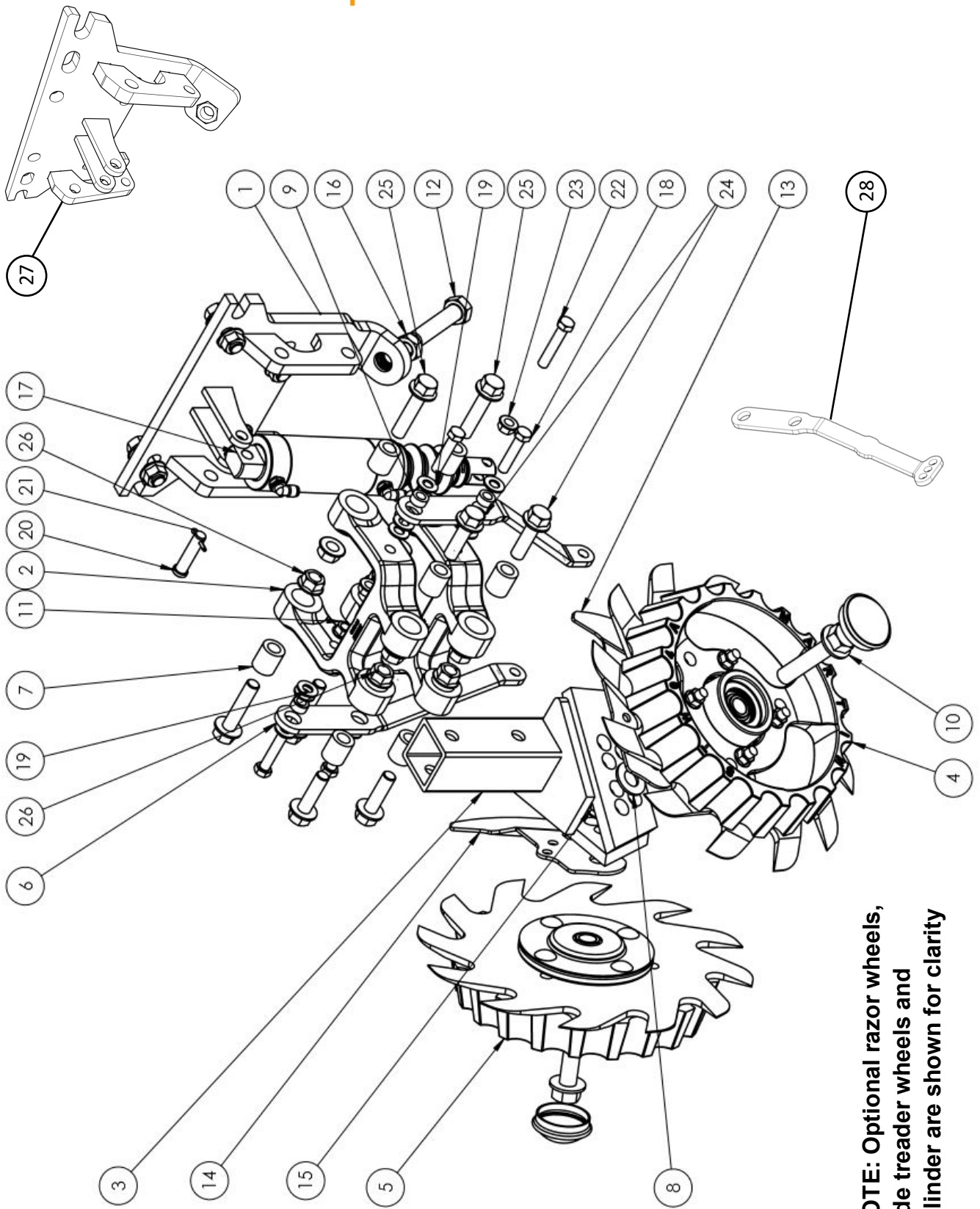
Attach Travel Limit Brackets CIH1200ST on top of the standard travel limit of the planter on both sides using provided 1/2 " X 1 1/4" Carriage bolts and nuts as shown in the picture.



BILL OF MATERIAL

ITEM NO.	PART NUMBER	DESCRIPTION	QTY
1	CIH1360L (800527)	3/8 CASE IH MT	1
2	CIH1360R (800528)	3/8 CASE IH MT	1
3	CIH1200ST (800539)	STOP, ROW UNIT UP TRAVEL LIMIT	2
4	BCS0217 (752512)	BOLT, 1/2-13 X 1 1/4 CARR GR8	4
5	N12CNL (787500)	NUT, 1/2-13 Nyloc GR8	6
6	BFS0133 (783534)	BOLT, 1/2-13 X 3 1/2 FL GR8	2

Exploded View FOR ACCR 1345



NOTE: Optional razor wheels, side treader wheels and cylinder are shown for clarity

BILL OF MATERIAL FOR ACCR 1345

ITEM NO.	PART NUMBER	DESCRIPTION	QTY
1	850320 MTACCR	MOUNT, ACCR 1360/1345	1
2	800320 CCR-L5	LINK, CAST MACHINED CCR	2
3	850357 1345STEM	STEM, 1345	1
4	900155 ARTW125L44CST	ASSY, 12.5" LEFT RAZOR HU44C STW	1
5	900156 ARTW125R44CST	ASSY, 12.5" RIGHT RAZOR HU44C STW	1
6	800069 SC1360CCR	ARM, CYL SUPPORT	2
7	800245 BU7812	BUSHING, PIVOT, .516 ID X .875 OD X 1 L	8
8	758601	WASHER, 5/8 TYPE B, 1 1/4 W	2
9	800056 BU5838	BUSHING, PIVOT, .375 ID X .625 OD X .313	4
10	754632 B8M58NC314	BOLT, 5/8-11 X 3.25 HEX	2
11	755302 N38CFL	NUT, 3/8-16 FL	4
12	7T4620 B5T58NC2	BOLT, 5/8-11 X 2 HEX TAP	4
13	800361 ITD SCWL	SCRAPER, SPADE CLOSING WHEEL LH	1
14	800360 ITD SCWR	SCRAPER, SPADE CLOSING WHEEL RH	1
15	755600 N58FLN	NUT, 5/8-11 FL CP	2
16	75660J	NUT, 5/8-11 HEX JAM	1
17	800322 SC-CYL-2X2/	CYLINDER, AIR, 2 INCH TRAVEL	1
18	784316 B5M38NC134	BOLT, 3/8-16 X 1 3/4 HEX GR8	4
19	788300 W38F	WASHER, 3/8 FLAT	12
20	709416	PIN, 7/16 X 1 3/4 CLEVIS	1
21	709016	PIN, 1/8 X 3/4 COTTER	1
22	754320 B5M38NC2	BOLT, 3/8-24 X 2 HEX FT	1
23	785301	NUT, 3/8-16 FL PT	1
24	783516 B8F12NC134	BOLT, 1/2-13 X 1 3/4 FL GR8	4
25	783522 B8F12NC214	BOLT, 1/2-13 X 2 1/4 FL GR8	4
26	785500 N12CFL	NUT, 1/2-13 FL PT GR8	8
27	850326 MTACCR-1200	MOUNT, ACCR 1360/1345-1200 ONLY	1
28	800025 SC1360CCR-1200	ARM, CYL SUPPORT CASE IH 1200	2 11



**The most trusted name in no-till
Established 1991**

Martin Industries LLC

206 Elk Fork Road

Elkton, KY 42220

Telephone: 270-265-5817

E-Mail: martin@martintill.com