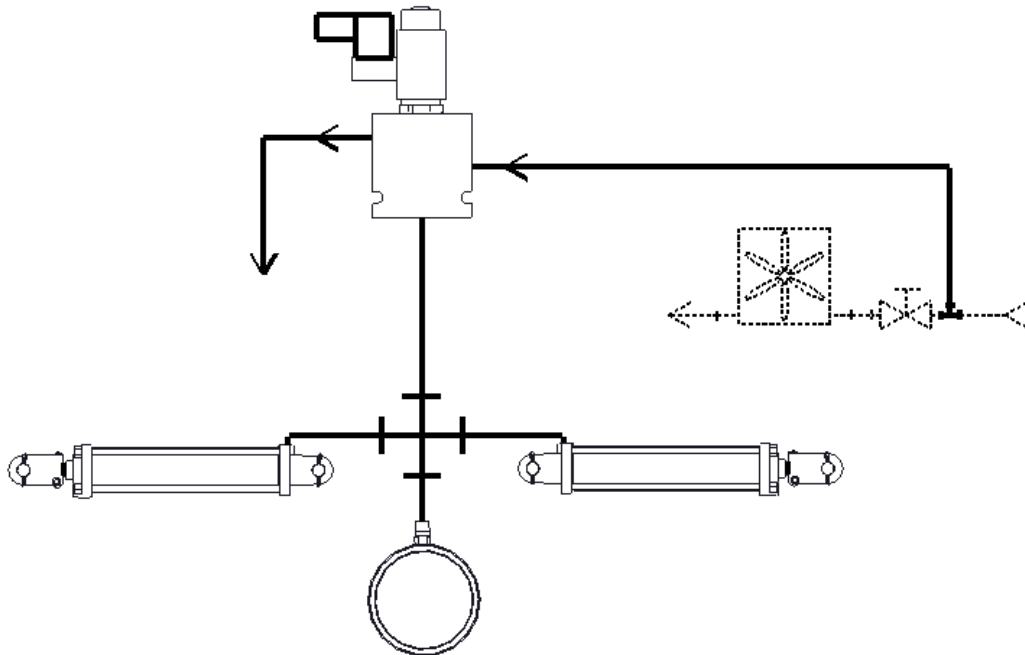


900440 - Hydraulic WEIGHT TRANSFER SYSTEM HYDRAULIC CONTROL

INSTALLATION INSTRUCTIONS



MARTIN PLANTER ATTACHMENTS

Martin Industries LLC

206 Elk Fork Road

Elkton, KY 42220

Telephone: 270-265-5817

E-Mail: martin@martintill.com

www.martintill.com

Table of contents:

	Page
Before you Begin	3
When the system is active	4
Gauge Installation	5
Valve installation	6
Hydraulic Connections	7
System Schematic (Option 1)	8
System Schematic (Option 2)	9
Notes	10
Notes	11
Contact Information	12

Before Installation Begins, Evaluate Possible Clearances Issues

It is important to verify that you do not have any installed accessories that may cause an interference when the planter is folded for transport. Mounting of liquid fertilizer tanks, air compressors or other accessories along the center spine of the planter must be evaluated for interferences before and carefully confirmed after the initial installation upon the first time folding the planter. Every effort has been made to minimize the possibility of interferences however any customizations or accessories mounted MUST be carefully evaluated by the installer to prevent the possibility of equipment damage.

Before beginning the installation, the planter should be unfolded and lowered to near operating levels to allow good access to the wing hinge area where the brackets will be installed. All hydraulic system pressure should be released and the planter supported as needed to prevent unexpected movement.

Areas of concern for interference/clearance issues at the tongue mounted tanks, when folded for transport.



WHEN THE WEIGHT TRANSFER SYSTEM IS ACTIVE



Please note that it is important to ensure that all hydraulic returns are unobstructed.

The weight transfer system is active while in plant mode only. Frame pressure at the CCS fan turns on and off with the CCS fan on JD tractors. CIH tractors maintain pressure at the fan. Therefore the operator needs to turn the system on an off manually. Attach hydraulic supply line just ahead of the fan speed control valve and the return just after the oil cooler.

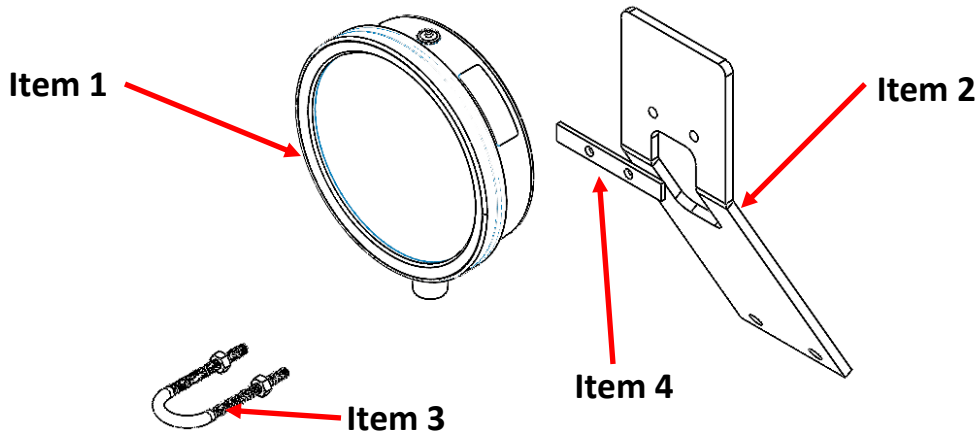
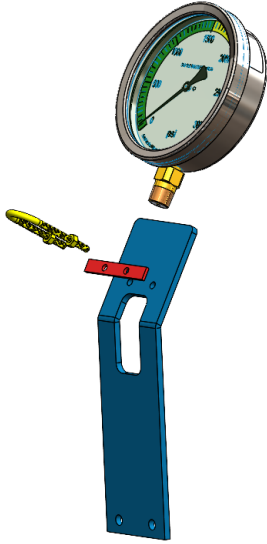
Important: The operator needs to turn the system on an off manually. (Except for JD tractors)

Note: Do not connect the return to the fan drain as this may cause seal damage.

STEP 1: Install Gauge

Mount the gauge as close to the hitch area as possible so it can be easily viewed while in operation. The gauge is supplied with a black bracket that can be bolted to the main frame on a John Deere Planter. If your planter does not have this mounting location you will need to fabricate your own mount bracket.

When installing, make sure to place the shim as shown to prevent vibration.

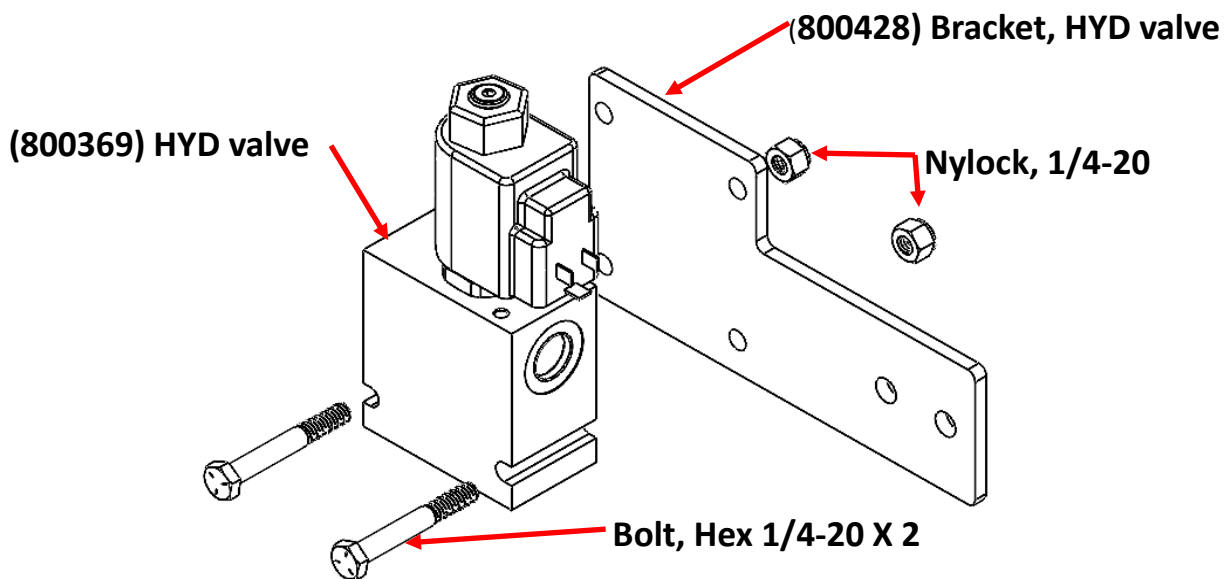


ITEM NO.	PART NUMBER	DESCRIPTION	QTY.
1	800458	Gauge, 4" liquid filled 0-3000 psi Martin-Till	1
2	800660	Brkt, WTS Gauge Mount w/o Hardware	1
3	709052	Bolt, 1/4-20 X 1-3/8 U w Nuts	1
4	800875	Shim, WTS Gauge Mount w/o Hardware	1

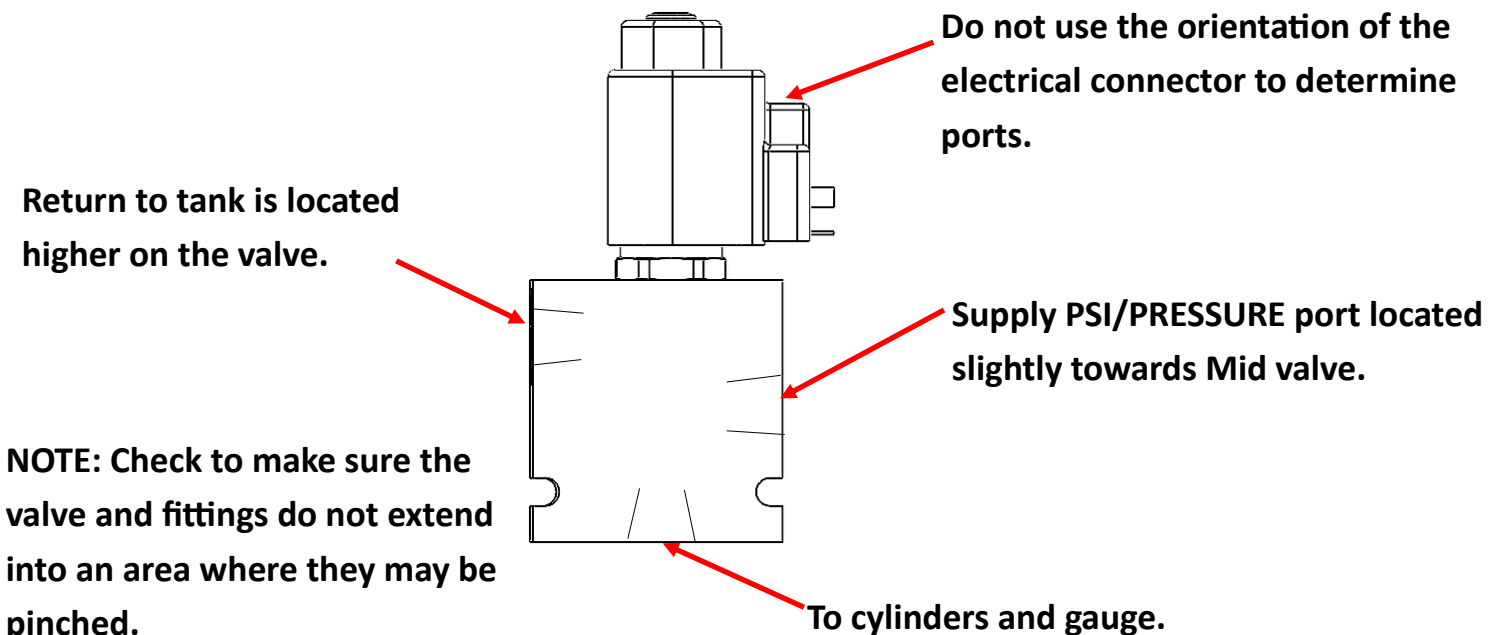
STEP 2: Install Hydraulic Valve (800369)

Due to the unique nature of the installations on each planter, the hoses and fittings are not supplied with this kit and it is up to the installer/owner to properly route and secure the hoses according to the space available and the accessories installed on each particular planter. The use of 5,000 psi rated hose is strongly recommended.

Your kit will be supplied with a high quality hydraulic valve assembly. Due to availability, the brand may be different from what is shown. It is important to note the port positions and functions are the same on all MartinTill valves however, the markings may vary. The supplied valve may be mounted in any desired location but typically would be installed in the center of the planter to reduce hose lengths.



NOTE: Valve can be rotated 90 Degrees on this bracket.



NOTE: Check to make sure the valve and fittings do not extend into an area where they may be pinched.

STEP 3: Hydraulic Connections

There are two options for connecting the weight transfer system to your tractor. Your choice depends on when you want the system to be active:

- **Option 1 (Recommended):** System is active only in **Plant Mode**.
- **Option 2:** System is always active and must be manually controlled.

Note: All hydraulic returns must be **unobstructed**.

Option 1: Recommended (See page 8)

System Behavior:

Active only in **Plant Mode**. On **John Deere** tractors, frame pressure turns on/off with the CCS fan. On **Case IH (CIH)** tractors, pressure remains on; the operator must shut the system off manually.

Hydraulic Supply:

Connect to “Frame Supply” before the CCS fan speed control.

- We suggest using a #8 JIC running tee.
- Refer to **900440 Weight Transfer System Control Instructions**.

Hydraulic Return:

Connect to “Power Beyond” return.

- Ensure the return-to-tank path is **unrestricted**.
- **Do not** connect to the motor case drain—this may cause seal damage.

Option 2: (See page 9) – Power Beyond Only

System Behavior:

Receives constant pressure from Power Beyond. Operator must turn system **on/off manually**.

Hydraulic Supply:

Connect to “Power Beyond” supply.

- Operator must **shut off the cab controller when folding**.
- See **900440 Weight Transfer System Control Instructions**.

Hydraulic Return:

Connect to “Power Beyond” return.

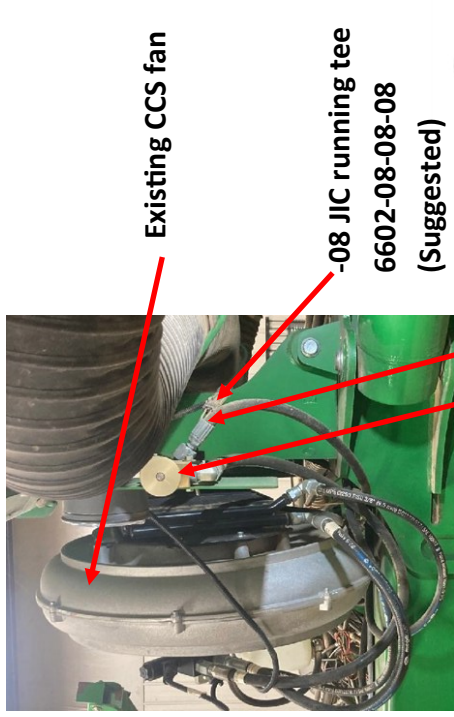
- Must be **unobstructed**.

WARNING:

Not recommended for use with **Wing VAC fan**. SCV must be in **continuous or float** mode. Incorrect settings may cause the system to **over pressurize** when the planter is folded.

Option 1 (Recommended)

SUGGESTED FITTING LIST		
QTY	DESCRIPTION	PART NUMBER
1	1/2" JIC Swivel Run Tee	6602-08-08-08
1	Cross 3/8" JIC X 3/8" JIC X 3/8" JIC X 3/8" ORB	6850-06-06-NOW-FG
2	Straight 1/2" ORB X 1/2" JIC	6400-06-08-0
2	Straight 3/8" ORB X 3/8" JIC	6400-06-06-0



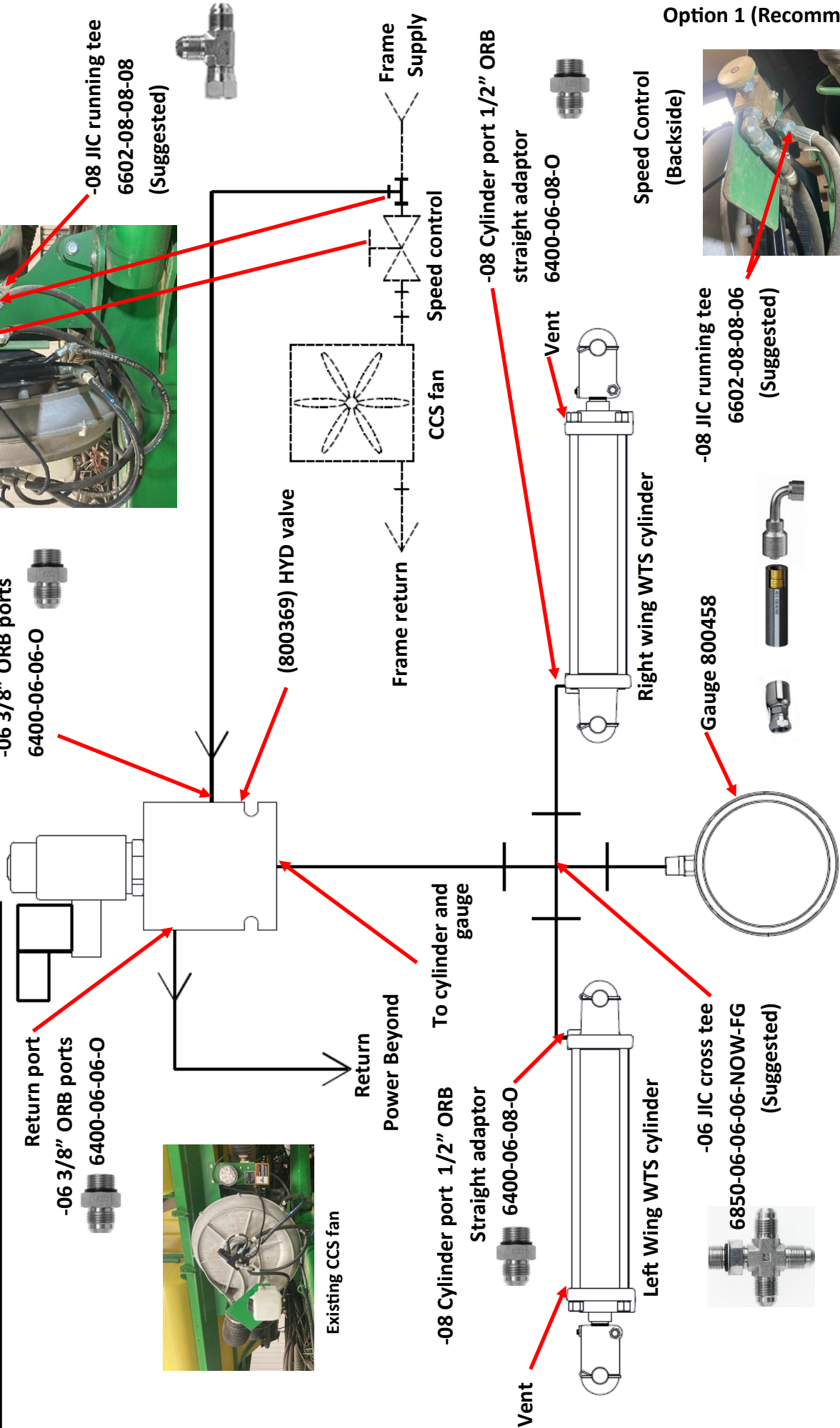
Existing CCS fan
 -08 JIC running tee
 6602-08-08-08
 (Suggested)

Pressure port
 -06 3/8" ORB ports
 6400-06-06-0

Return port
 -06 3/8" ORB ports
 6400-06-06-0



Existing CCS fan

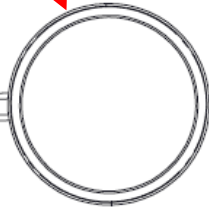


Option 1 (Recommended)



Speed Control
 (Backside)

-08 JIC running tee
 6602-08-08-06
 (Suggested)



-06 JIC cross tee
 6850-06-06-NOW-FG
 (Suggested)

Note: Fittings may vary depending on your planter.

Do not return through motor case drain or frame returns. Seal damage will.

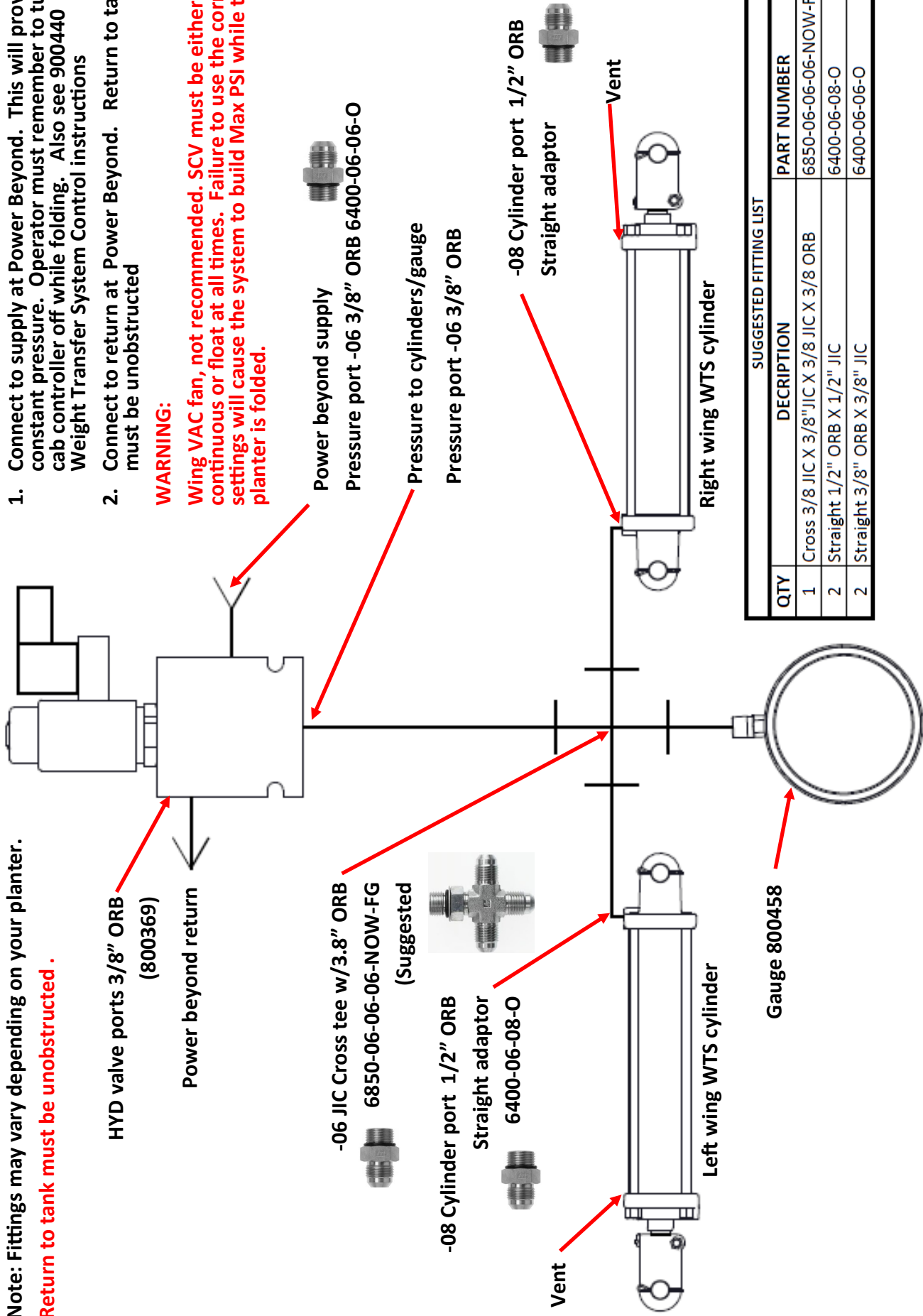
OPTION 2

Note: Fittings may vary depending on your planter.
Return to tank must be unobstructed.

OPTION 2: Hydraulic Connections

1. Connect to supply at Power Beyond. This will provide constant pressure. Operator must remember to turn cab controller off while folding. Also see 900440 Weight Transfer System Control instructions
2. Connect to return at Power Beyond. Return to tank must be unobstructed

WARNING:
 Wing VAC fan, not recommended. SCV must be either in continuous or float at all times. Failure to use the correct settings will cause the system to build Max PSI while the planter is folded.



SUGGESTED FITTING LIST		
QTY	DESCRIPTION	PART NUMBER
1	Cross 3/8 JIC X 3/8" JIC X 3/8 JIC X 3/8 ORB	6850-06-06-06-NOW-FG
2	Straight 1/2" ORB X 1/2" JIC	6400-06-08-O
2	Straight 3/8" ORB X 3/8" JIC	6400-06-06-O



Option 2

Do not return thru motor case drain. Seal damage will occur!

Notes:

Notes:



The most trusted name in no-till
Established 1991

Martin Industries LLC

206 Elk Fork Road

Elkton, KY 42220

Telephone: 270-265-5817

E-Mail: martin@martintill.com