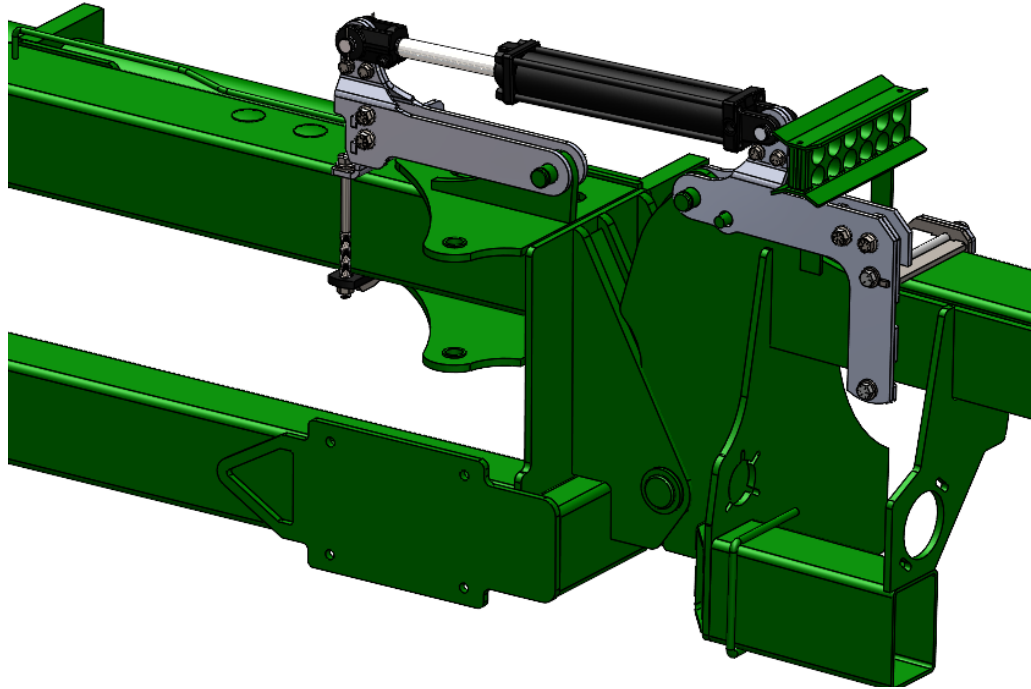


**900283**

**1790/95 WEIGHT TRANSFER SYSTEM**

**16R-30" FRAME**

**INSTALLATION INSTRUCTIONS**



**MARTIN PLANTER ATTACHMENTS**

**Martin Industries LLC**

206 Elk Fork Road

Elkton, KY 42220

Telephone: 270-265-5817

E-Mail: [Help@martintill.com](mailto:Help@martintill.com)

[www.martintill.com](http://www.martintill.com)

## Before Installation Begins, Evaluate Possible Clearance Issues.

It is important to verify that you do not have any installed accessories that may cause an interference problem when the planter is folded for transport. Mounting of liquid fertilizer tanks, air compressors, or other accessories along the center spine of the planter must be evaluated for interferences before and carefully confirmed after the initial installation upon the first time folding the planter. Every effort has been made to minimize the possibility of interferences, however any customizations or accessories mounted **MUST** be carefully evaluated by the installer to prevent the possibility of equipment damage. *These installation instructions apply to both the 1790 and 1795 planters. Please refer to the appropriate illustrated parts breakdown for the correct part number for your specific kit.*

Before beginning the installation the planter should be unfolded and lowered to near operating levels to allow good access to the wing hinge area where the brackets will be installed. All hydraulic system pressure should be released and the planter supported as needed to prevent unexpected movement.

See 900440 WTS Controls - Hyd (Hydraulic system installation)

See 900440 WTS Controls - Elec (Electrical system installation)

Areas of concern for interference/clearance issues at the tongue mounted tanks, when folded for transport.



## STEP 1. Remove Wing Vacuum Connectors Hoses

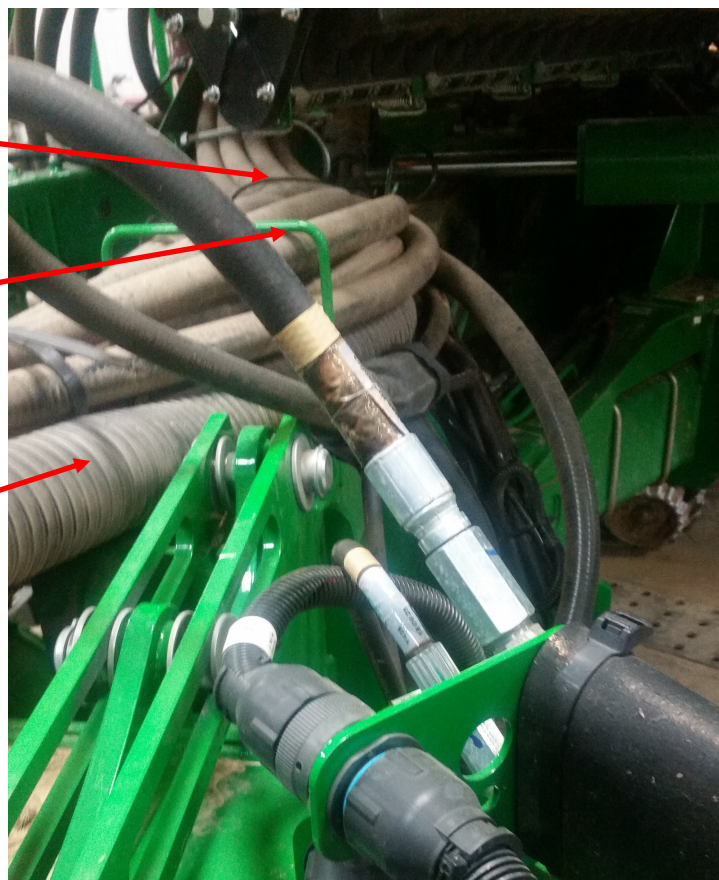
Loosen the clamp on the vacuum hoses at the plastic elbow connector and remove the hose from the loom on each wing. Normally, this hose is routed through the loom at the wing pivot point and is underneath the seed delivery tubes, these hoses should be removed from the loom and set aside for rerouting after the brackets are installed (both sides).



Seed tubes

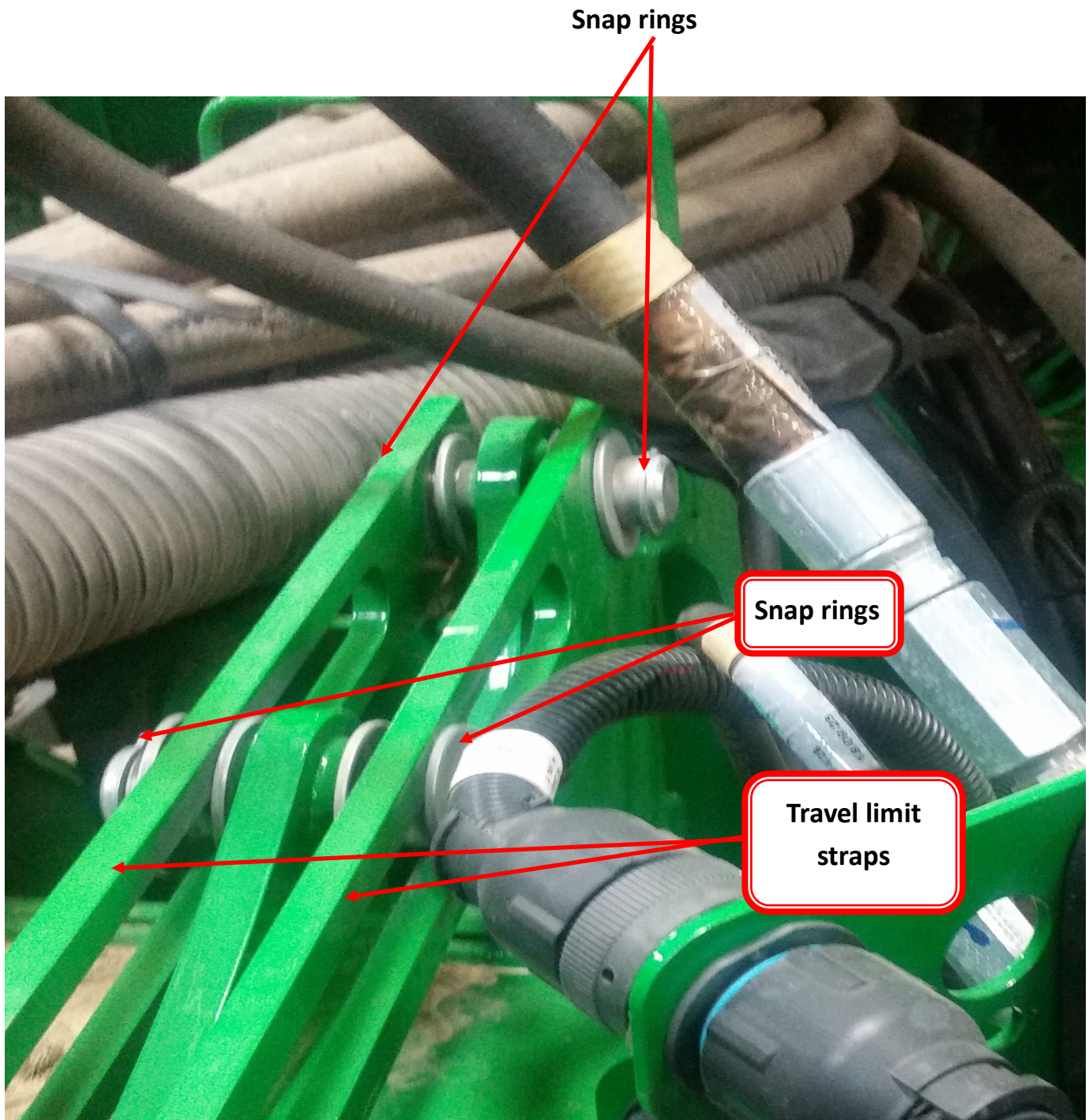
Hose loom

Vacuum hose

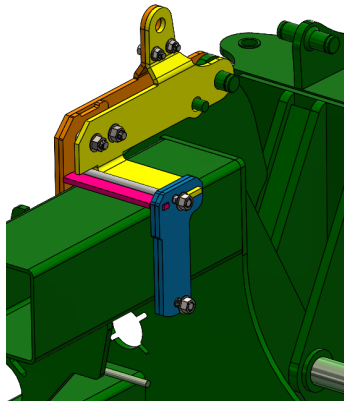


## STEP 2: Remove Travel Limit Straps

Using large snap ring pliers, remove the external retaining rings (4) from the pins on the wings at the top of the hinge point for both left and right wings. Remove the washers and the travel limit straps from both LEFT and RIGHT wings, and set aside for later reinstallation.



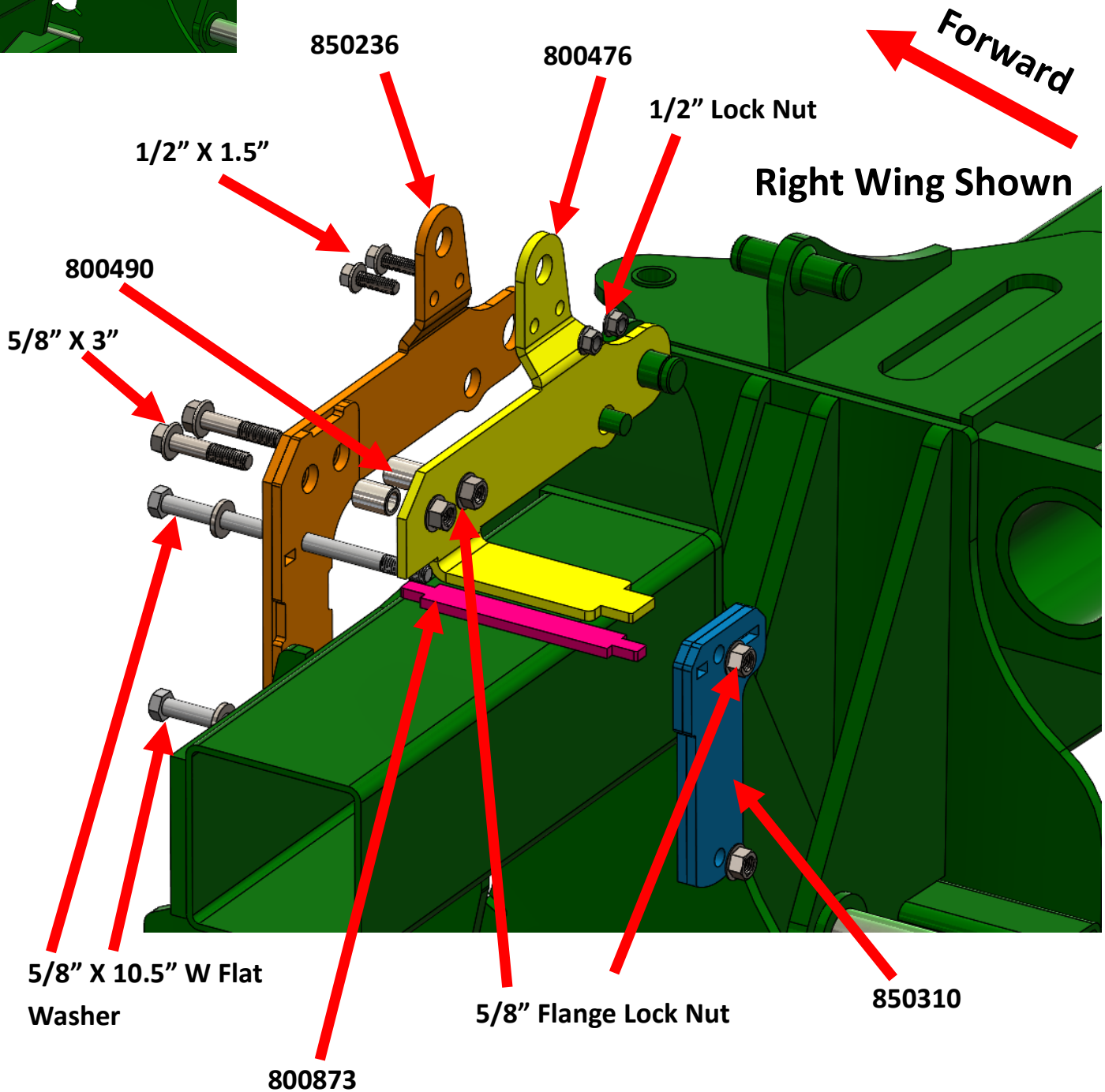
### STEP 3 : Install Frame Pull Arms



Install the frame pull arms as shown below

Do not tighten any bolts completely until all components are lined up, including factory wing travel limiters removed in previous step.

Repeat for opposite wing using opposite handed parts.

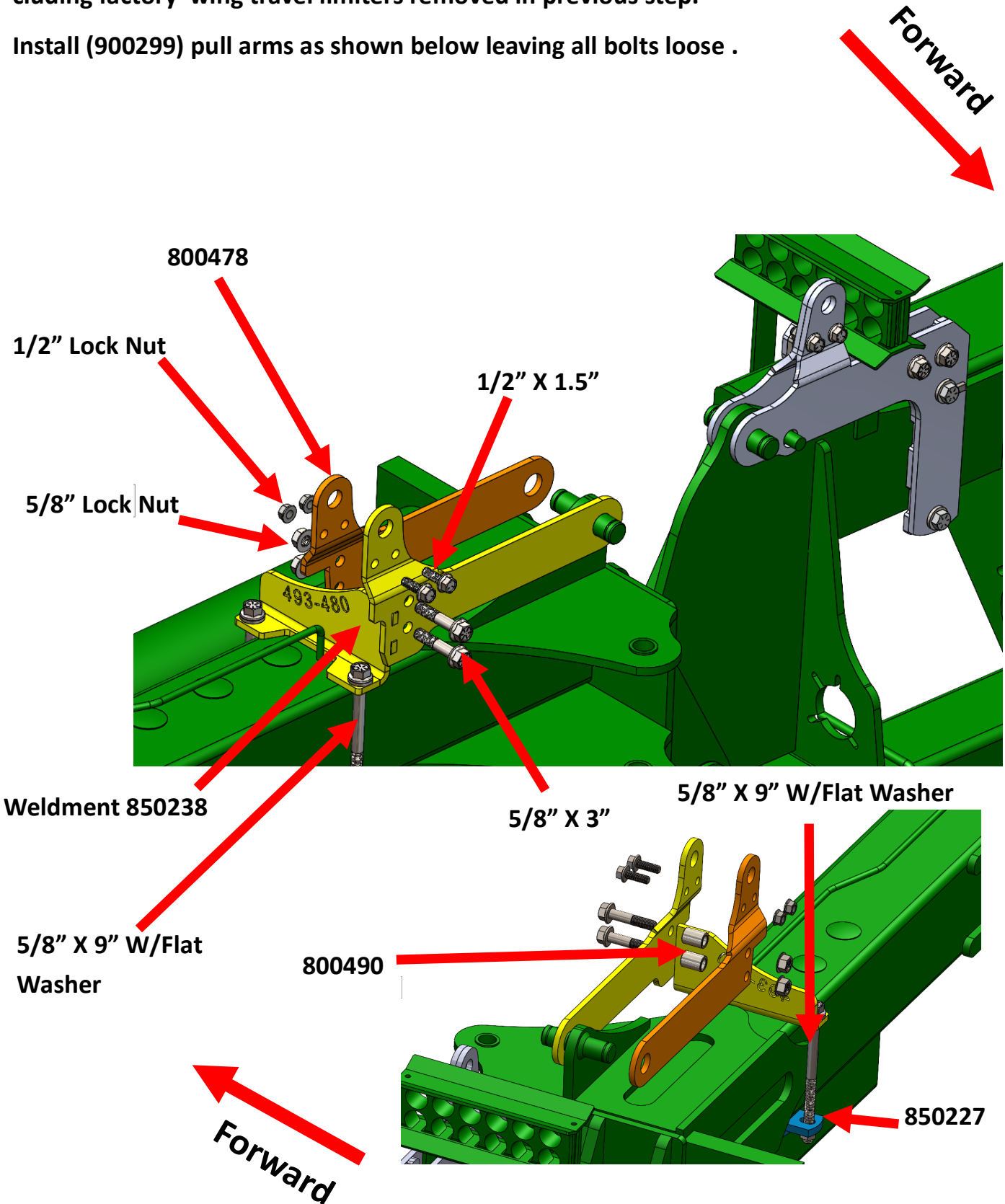


# STEP 4: Install Wing Pull Arms

Install the wing pull arms as shown below.

Do Not tighten bolts completely until all components are lined up including factory wing travel limiters removed in previous step.

Install (900299) pull arms as shown below leaving all bolts loose .

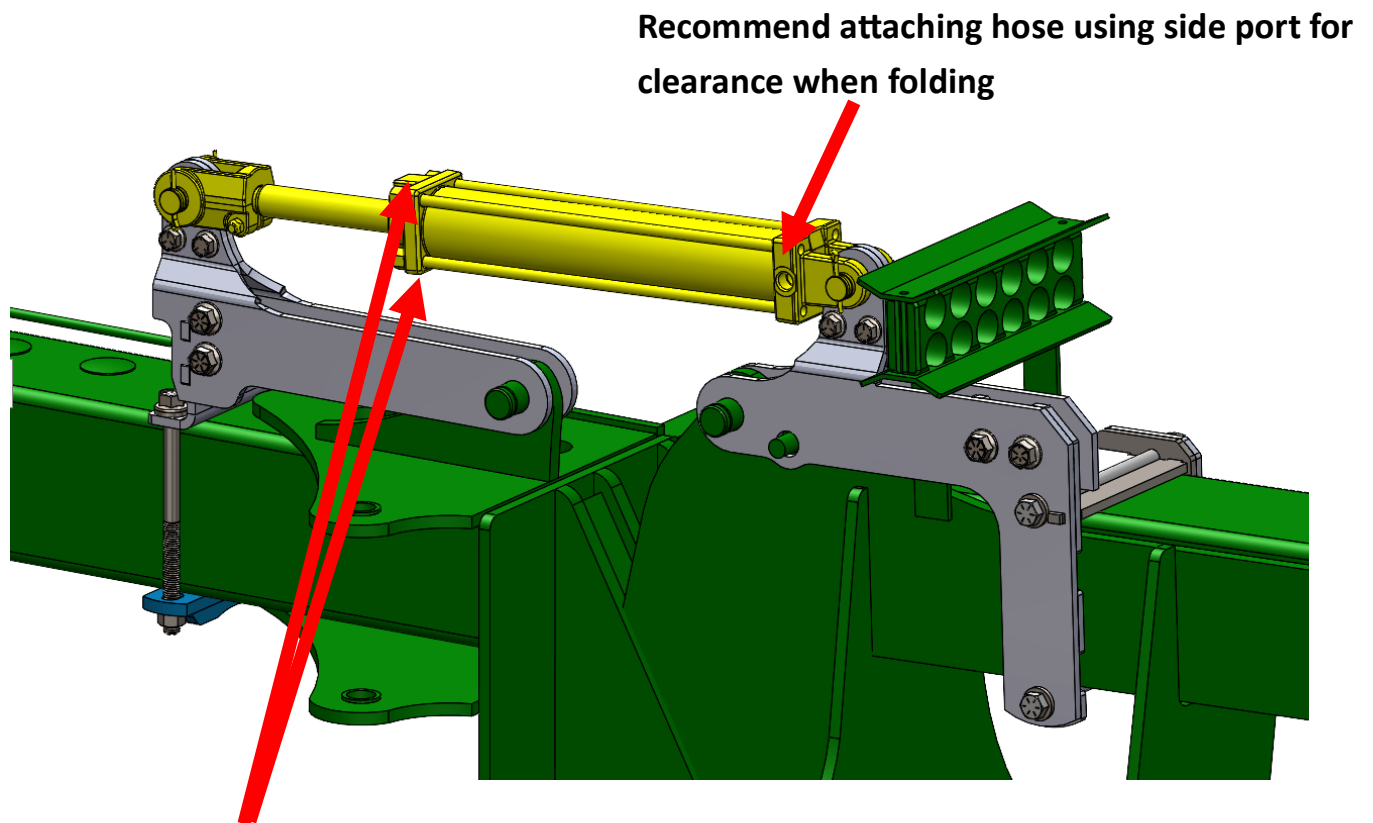


## STEP 5 : Attach the Hydraulic Cylinders

At this stage of the installation both inner and outer wing bracket assemblies for both wings should be installed and all bolts in a finger tight condition to allow for cylinder installation and final adjustment and tightening. Right wing shown below.

Install the cylinder as shown, using the pin kit supplied with the cylinder.

Install Rod end vent to prevent moisture from entering. It may face up down or back. It is water impregnable. When installing the hydraulic fittings and hoses, use the side port on the base end of the cylinder to provide extra clearance while folding.



Gland end port (800192) vent location

May be faced up or down front or back as its water impregnable

## STEP 6: Tighten all Brackets

Before proceeding with this step inspect both inner and outer brackets and both wings to ensure that the brackets are not on top of any hoses or wiring harnesses or there are any interferences with aftermarket custom brackets or installed accessories before tightening.

Begin by tightening the top two bolts next to the cylinder ends on the inner and outer brackets, torque to 85 ft lbs.

Tighten the 5/8 bolts attaching the front and rear brackets together, torque to 143 ft lbs.

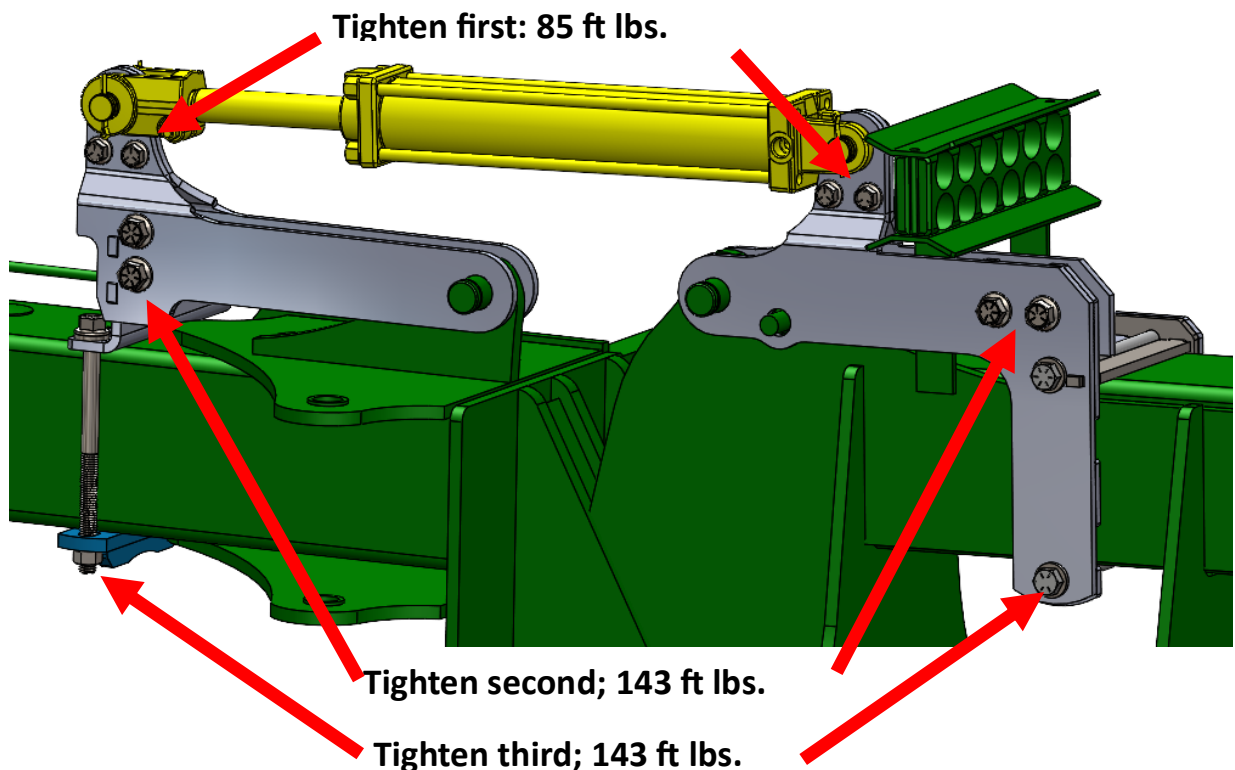
Tighten the 5/8 bolts clamping the brackets to the wings, torque to 143 ft lbs.

Reinstall the travel limit straps removed at the beginning of the installation noting that the notched end of the bar goes to the inner wing or frame side pin. Reinstall the Flat washers and the heavy duty snap rings to retain the travel limit straps in place.

Verify travel limit stop bar is free to float on each side. If not, loosen bolts and adjust so each bar is free to float then retighten

Remove any blocking used to support seed tubes or other hoses, route and tie off as appropriate to ensure there are no pinch points or radical bends in seed tubes.

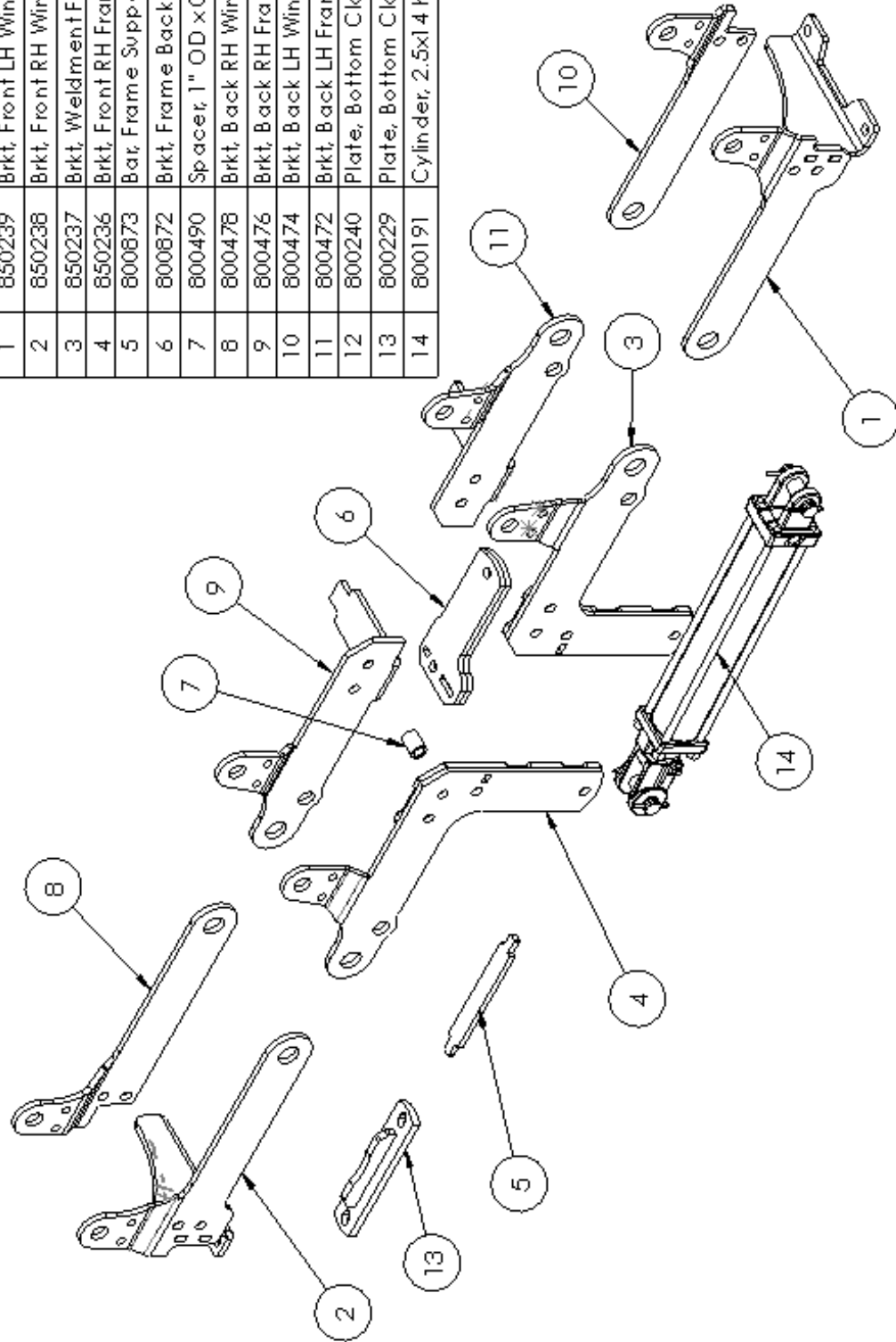
Route as needed and reattach the vacuum hoses to the connectors where they were removed in step 1.





# Item List not including hardware

ITEM NO.	PART NUMBER	DESCRIPTION	QTY.
1	850239	Brkt, Front LH Wing	1
2	850238	Brkt, Front RH Wing	1
3	850237	Brkt, Weldment Front LH Frame	1
4	850236	Brkt, Front RH Frame	1
5	800873	Bar, Frame Support	1
6	800872	Brkt, Frame Back Clamp	2
7	800490	Spacer, 1" OD x 0.64 ID x 1.36" L WTS	1
8	800478	Brkt, Back RH Wing	1
9	800476	Brkt, Back RH Frame	1
10	800474	Brkt, Back LH Wing	1
11	800472	Brkt, Back LH Frame	1
12	800240	Plate, Bottom Clamp Rib WTS	1
13	800229	Plate, Bottom Clamp Base WTS	1
14	800191	Cylinder, 2.5x14 hyd	1



## NOTES:

## NOTES:



**The most trusted name in no-till  
Established 1991**

**Martin Industries LLC**

206 Elk Fork Road

Elkton, KY 42220

Telephone: 270-265-5817

E-Mail: [Help@martintill.com](mailto:Help@martintill.com)

[www.martintill.com](http://www.martintill.com)

VERSION 03/19/18