

900244

1770/75 WEIGHT TRANSFER SYSTEM

24R-30"

INSTALLATION INSTRUCTIONS



MARTIN PLANTER ATTACHMENTS

Martin Industries LLC

206 Elk Fork Road

Elkton, KY 42220

Telephone: 270-265-5817

E-Mail: Help@martintill.com

www.martintill.com

Before Installation Begins, Evaluate Possible Clearance Issues

It is important to verify that you do not have any installed accessories that may cause an interference problem when the planter is folded for transport. Mounting of liquid fertilizer tanks, air compressors, or other accessories along the center spine of the planter must be evaluated for interferences before and carefully confirmed after the initial installation upon the first time folding the planter. Every effort has been made to minimize the possibility of interferences, however any customizations or accessories mounted MUST be carefully evaluated by the installer to prevent the possibility of equipment damage. *These installation instructions apply to both the 1770 and 1775 planters. Please refer to the appropriate illustrated parts breakdown for the correct part number for your specific kit.*

Before beginning the installation, the planter should be unfolded and lowered to near operating levels to allow good access to the wing hinge area where the brackets will be installed. All hydraulic system pressure should be released and the planter supported as needed to prevent unexpected movement.

See 900440 Hydraulic Control (Hydraulic system installation)

See 900440 Electrical Control (Electrical system installation)

Fertilizer tanks or other equipment mounted here must be verified for clearance before installation

Left wing WTS bracket and cylinder installed



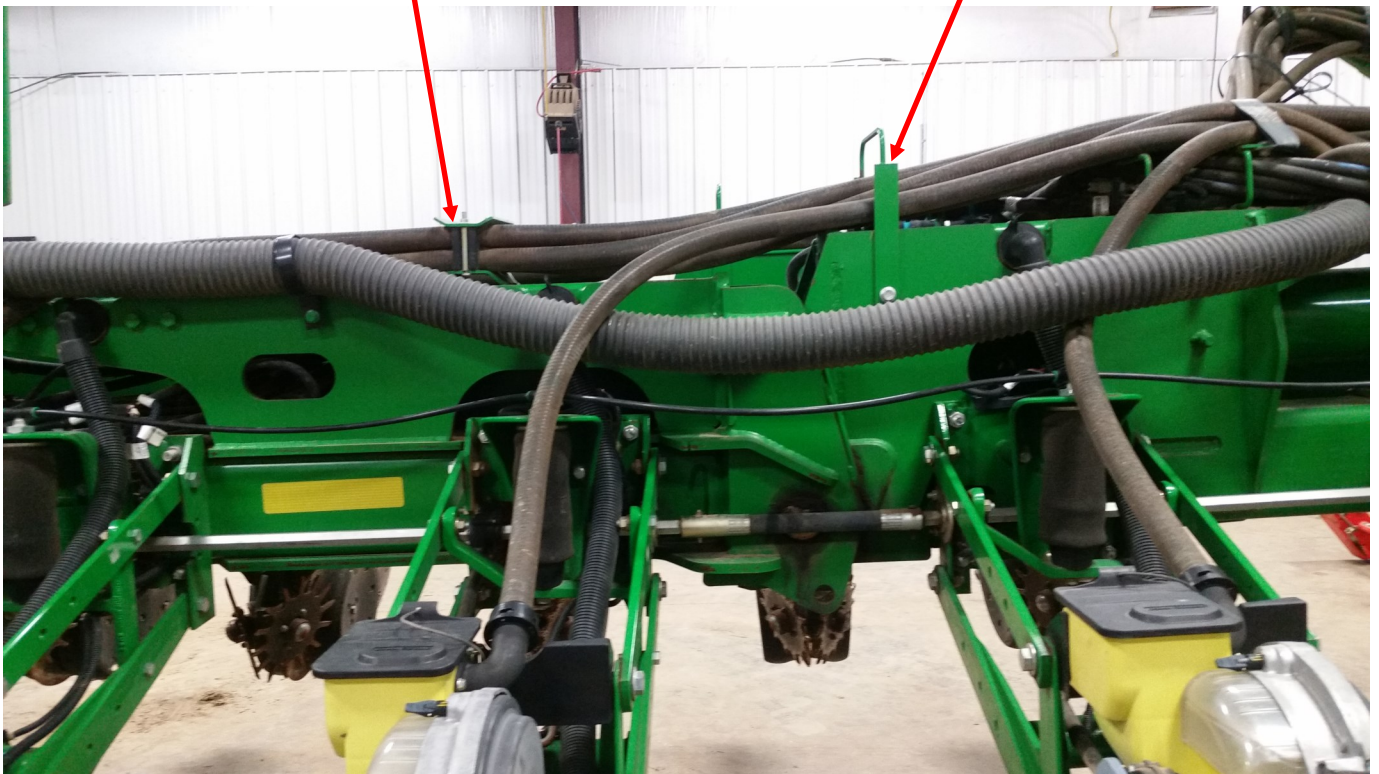
STEP1: Remove CCS Tube Brackets

Remove the bolts holding the CCS tube guide bracket located on the inner wing, just above the wing pivot pin. Move this bracket away from the hinge joint towards the wing fold pivot. Make sure the area for the inner bracket is clear of any obstructions. Due to variations, your particular planter's tube routing setup may require the removal of the first clamp bracket on the outer wing. Bracket removal should allow sufficient slack, in the tube, for installation of the inner bracket. Set the clamp parts aside for reinstallation later.

Repeat this procedure for the Right wing of the planter (Left wing shown below)

CCS Tube Clamp Bracket

CCS Tube Guide Bracket



STEP 2 : Install the Inner Wing Bracket

Place the inner wing bracket (900262) over the top of the upper beam. Locate the bracket so the slots are beyond the edge of the beam (fig.1). Insert the front tab plate (800214) with the flush side towards the inner wing, into the space between the main plates of the inner wing. Lift the plate so the 5/8-11 stud goes through the hole in the bottom of the inner wing bracket. Ensure the alignment of the tabs such that they fit the slots. Start a 5/8 flange nut on the threaded stud to hold the tabs engaged in the slots (fig.2). Hold the tab plate suspended while inserting the 1/2-13 x 2" bolt through the tab plate and the inner wing plate (fig.3). Install a 1/2" flange nut (to do this you will need to reach through the access port or reach the bolt from the opposite side of the bar)

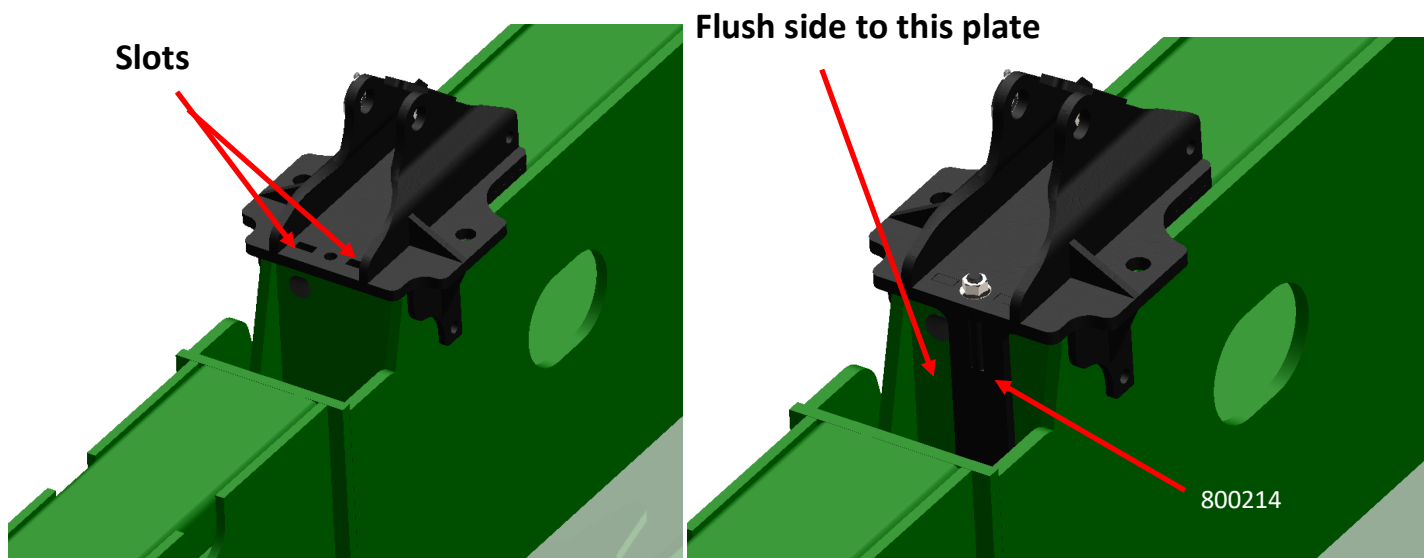


Fig.1

Fig. 2

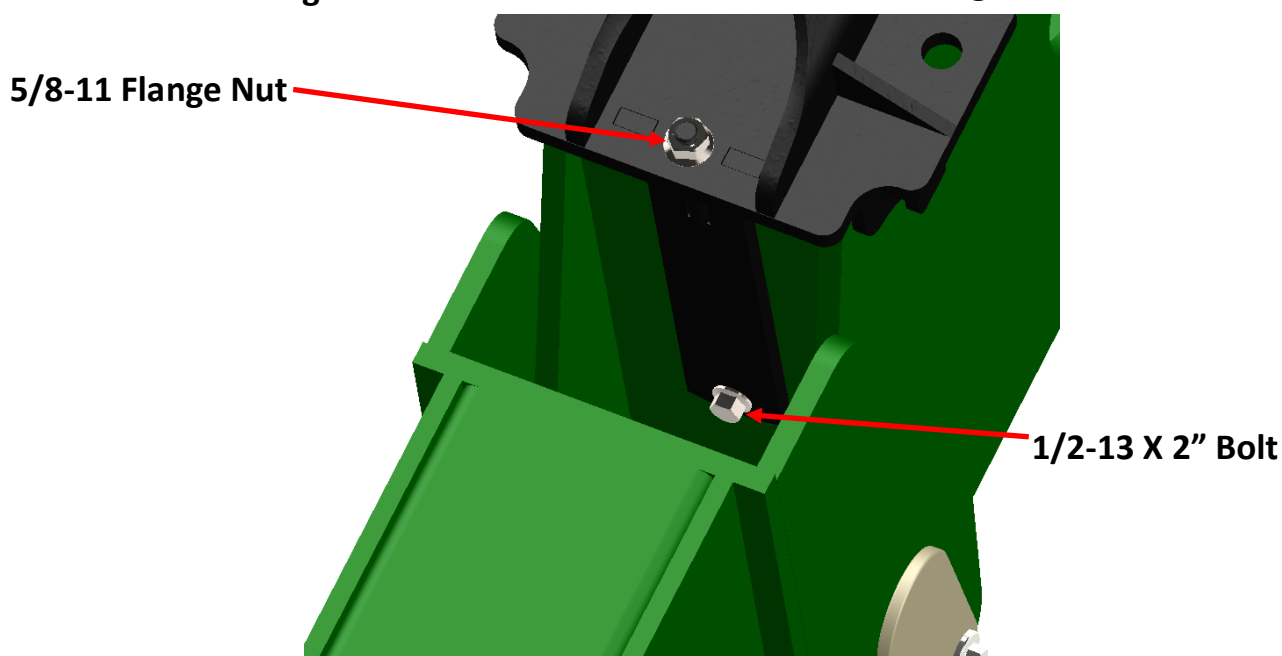


Fig.3

STEP 2 Cont : Install the Inner Wing Bracket

Locate and install the 5/8 x 2" flange head bolts in the holes on either side of the bracket as shown in (fig.4). Orient the flange nuts on the inside of the frame. Access the nuts through the port shown or from the front side of the planter frame adjacent to the wing fold cylinder. Install the 1" x 25" bolts with flat washers (fig.5) through the two holes in the opposite sides of the bracket. Place the clamp bar (800401) over the bolts from the bottom. Orient the clamp bar with the notched area closest to the row unit. Making sure to allow clearance between the row unit arm. Install the nuts on the bolts finger tight to hold the clamp bar in place. Verify clearances between the clamp bar and the row unit, tighten the 1" nuts evenly to ensure that the clamp bar remains flat to the bottom of the toolbar. Torque the nuts to 644 ft lbs. Torque the 1/2-13 x 2" bolt to 75 ft/lbs. Next torque the two 5/8 x 2" bolts to 150 ft lbs. Finish by torquing the 5/8" flange nut on the (800214) to 75 ft lbs.

5/8-11 Flange Nut

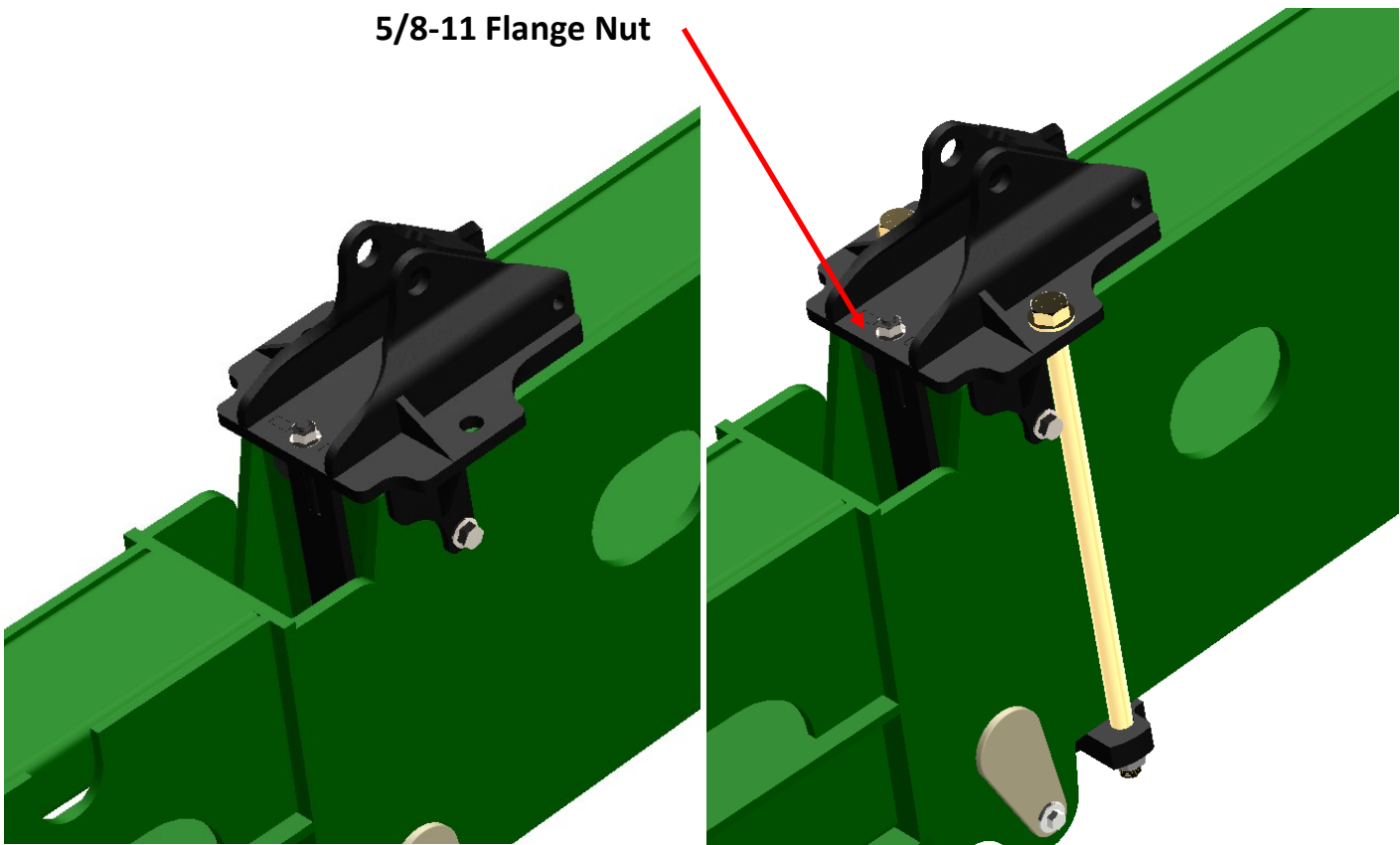


Fig.4

Fig.5

STEP 3 : Install the Outer Wing Bracket

Remove the four, M16 bolts from the end of the wing brace plate as shown below (Fig 6). Carefully place the outer wing bracket assembly (850356) over the top of the wing and the CCS tubes. Locate the assembly where the M16 bolts were removed. Align the holes and install the new bolts (709034) and a flat washer. Install the four, 5/8 flange nuts and torque to 150 ft lbs. Carefully check the routing of the CCS tubes to ensure that they are not bent or kinked in a way which would prevent seed flow. Re-install/tighten the CCS tube clamp if loosened or removed (Fig.7).

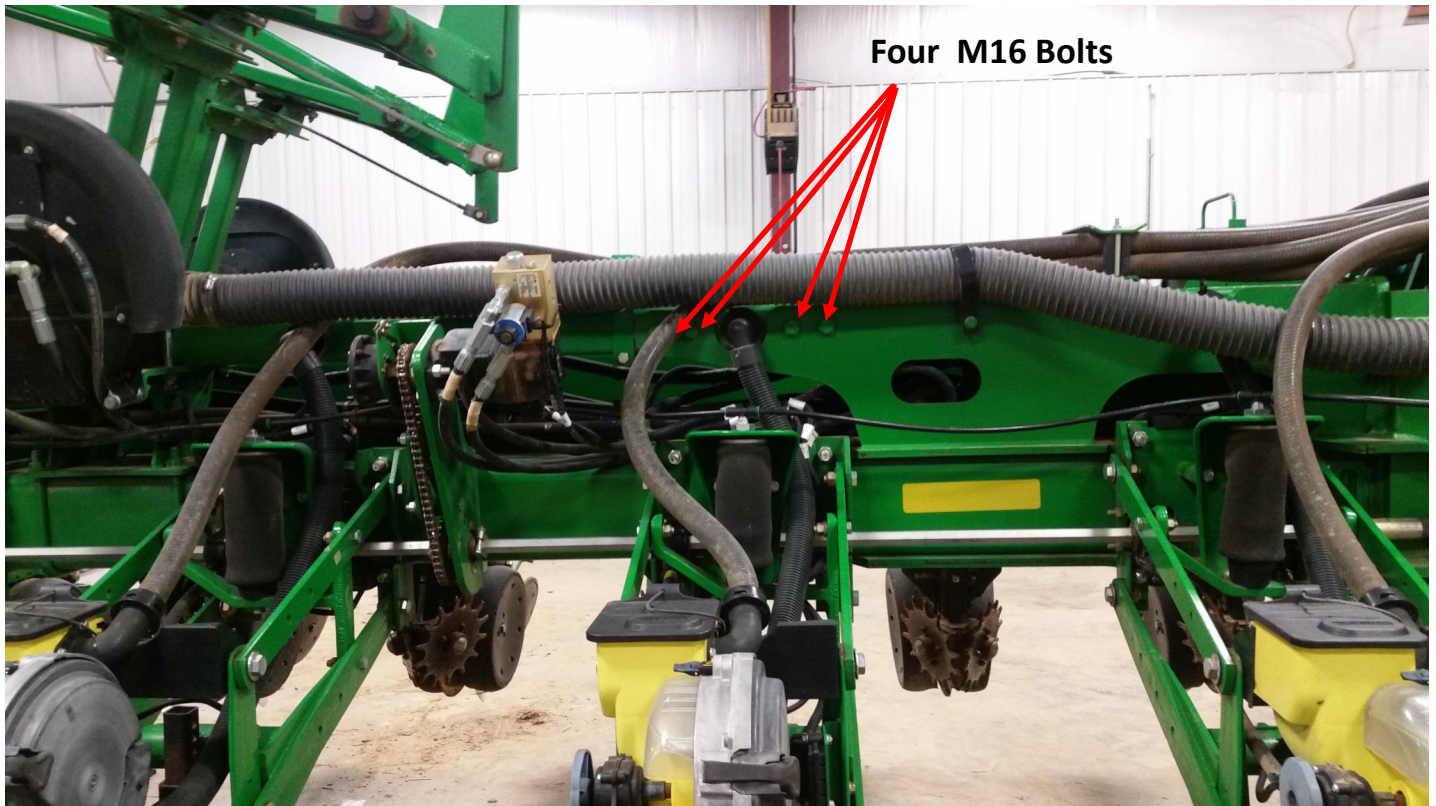


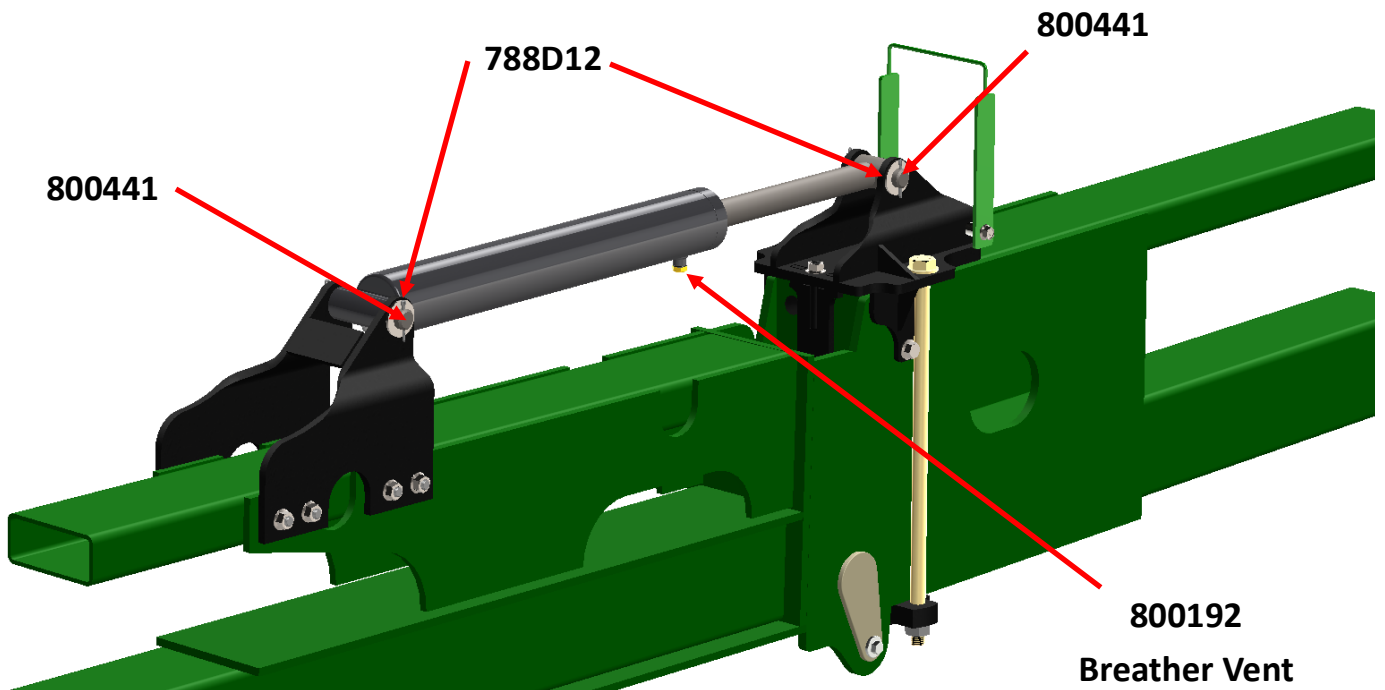
Fig.6

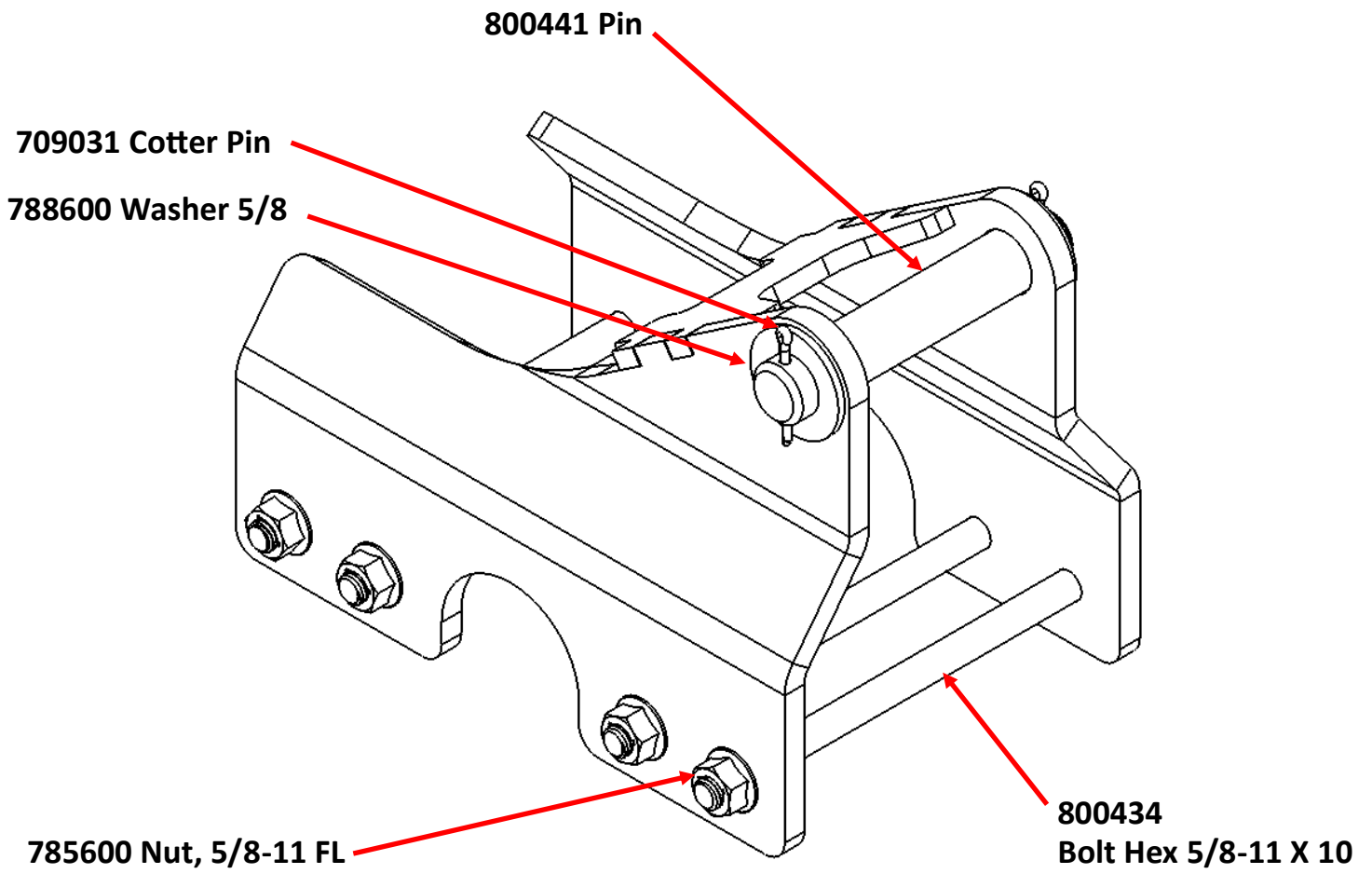
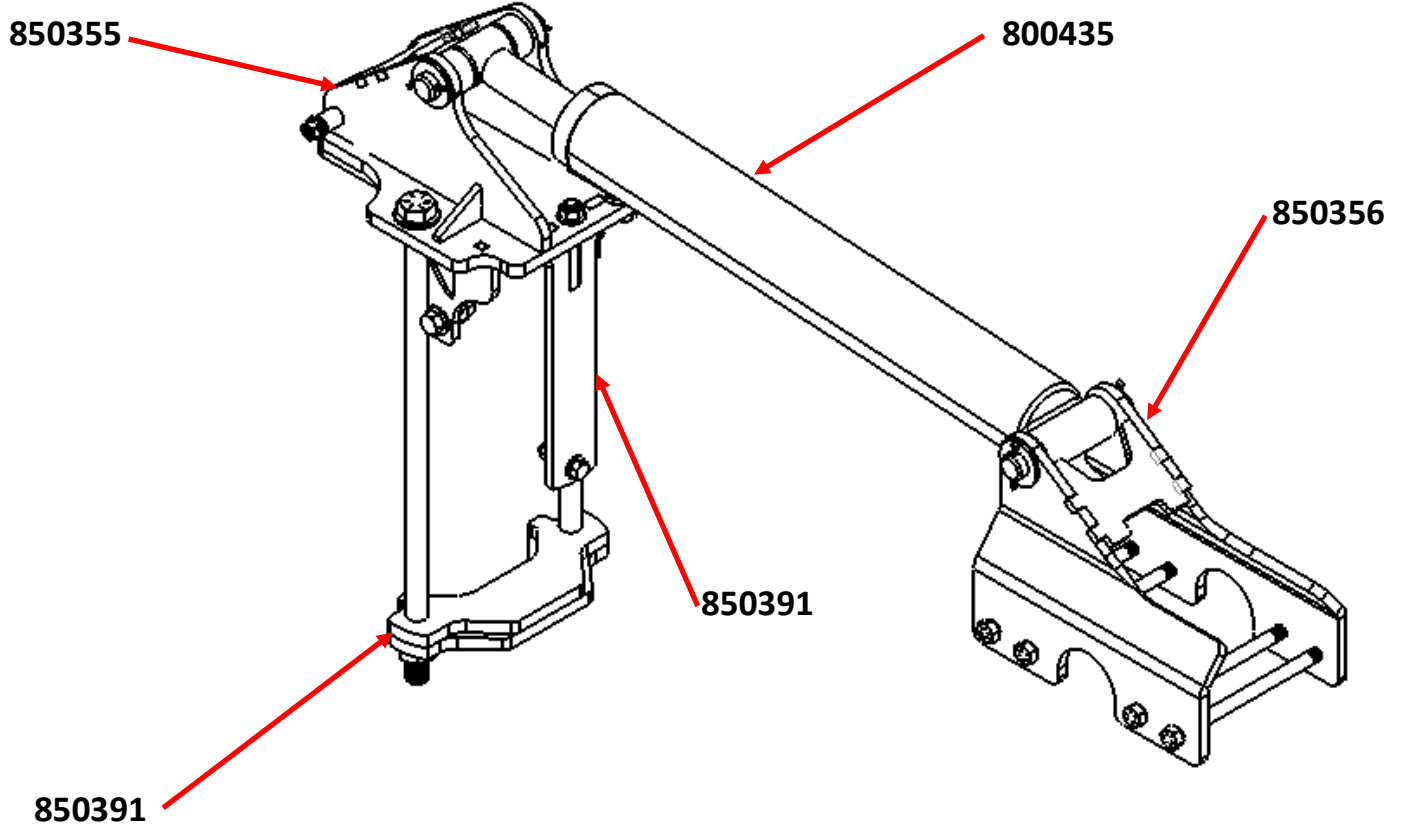


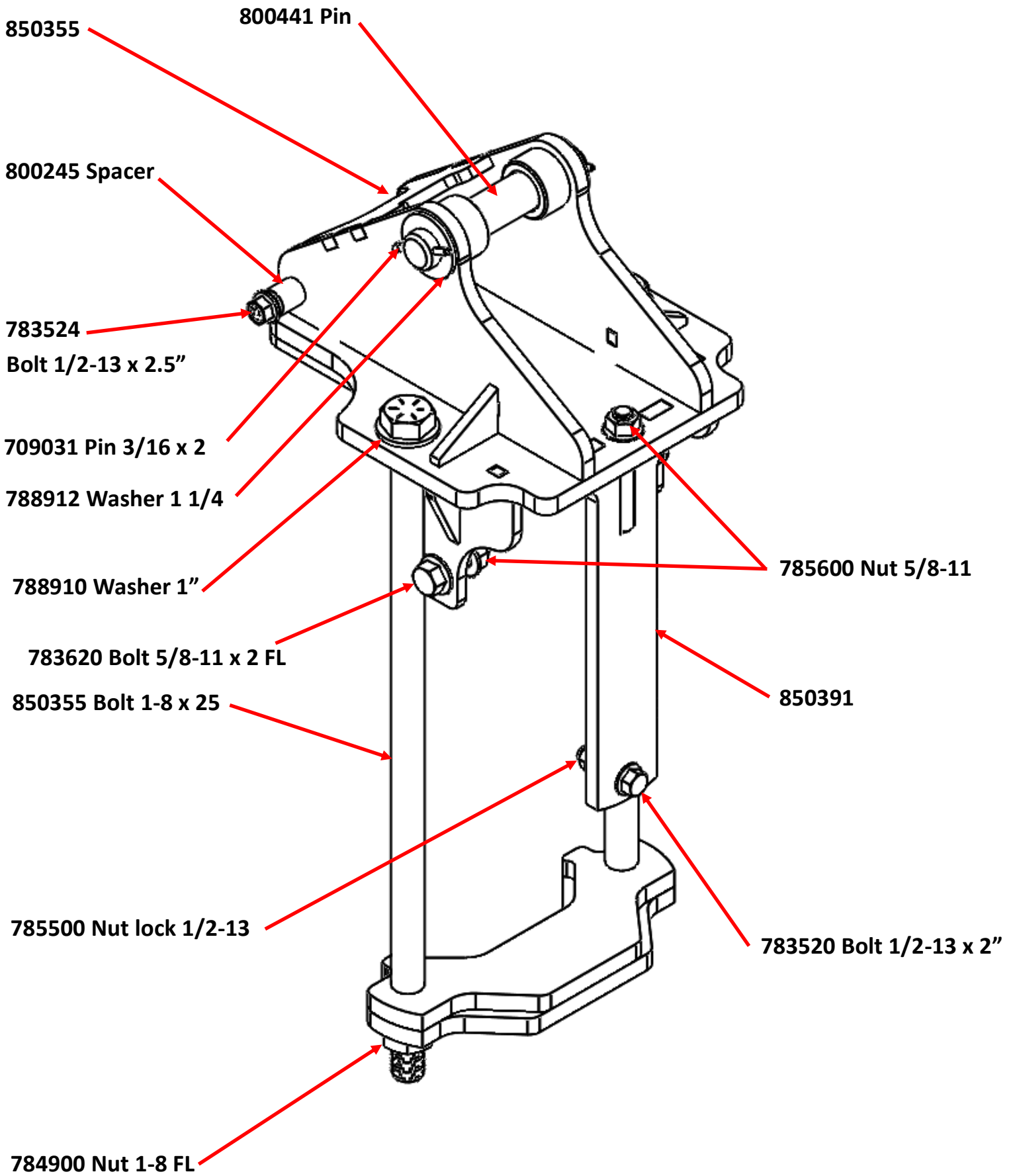
Fig.7

STEP 4 : Attach the Hydraulic Cylinders

Install the cylinders in bracket assemblies, as shown, using the supplied clevis and cotter pins. Install the base end of the cylinder into the outer wing bracket (850356) using the clevis pin (800441) with flat washers (788D12) and cotter pins (709031). The rod end utilizes the same parts. Install the cylinder, the port may face up, or down as the breather vent is water impregnable.







NOTES:

NOTES:



**The most trusted name in no-till
Established 1991**

Martin Industries LLC

206 Elk Fork Road

Elkton, KY 42220

Telephone: 270-265-5817

E-Mail: Help@martintill.com

www.martintill.com