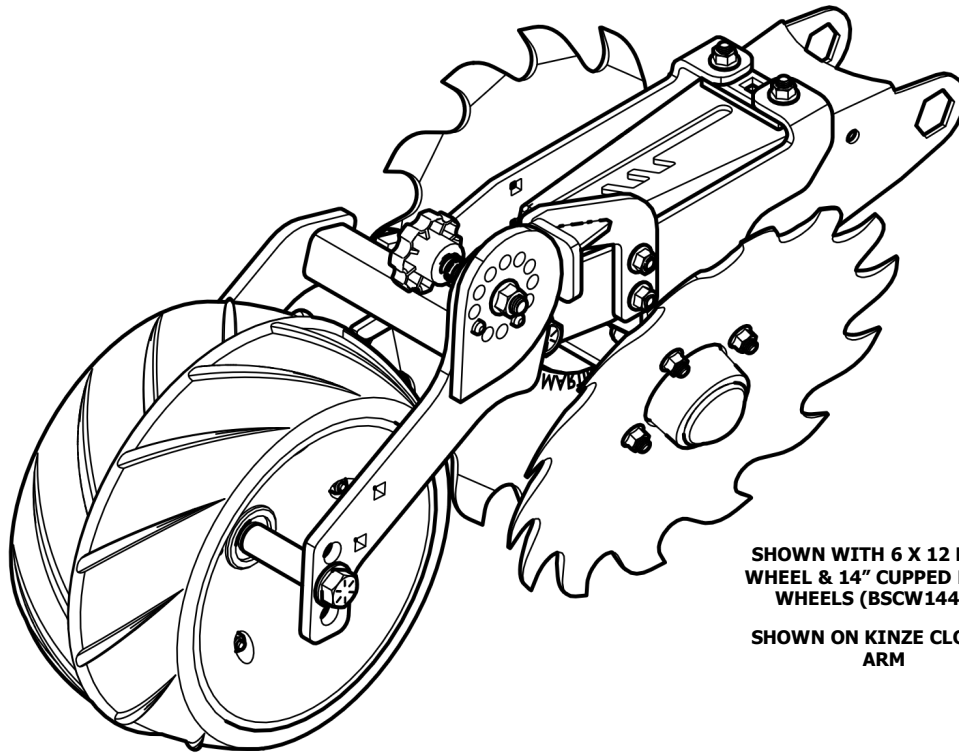


2nd Stage KW Closer

Second Stage Press Wheel for Kinze and White (9000) Closing Frames
INSTALLATION INSTRUCTIONS



SHOWN WITH 6 X 12 PRESS
WHEEL & 14" CUPPED RAZOR
WHEELS (BSCW1444C)

SHOWN ON KINZE CLOSING
ARM

Martin-Till

Martin Planter Attachments

Martin Industries LLC

206 Elk Fork Road

Elkton, KY 42220

Telephone: 270-265-5817

E-Mail: martin@martintill.com

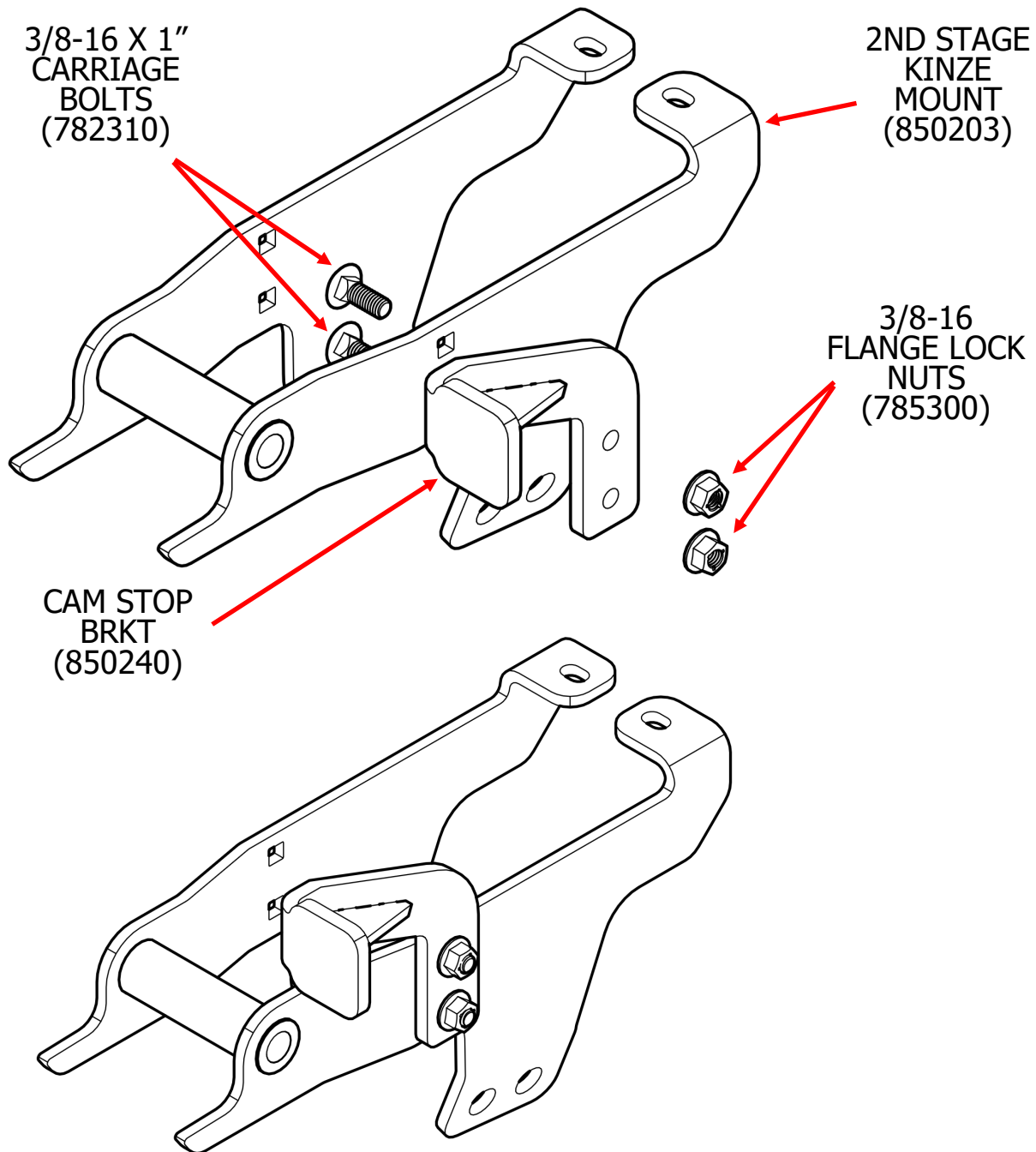
www.martintill.com



STEP 1 : ASSEMBLING CAM STOP TO MOUNT

Before installing KW 2nd Stage mount to the OEM Closing arm, the cam stop must be to be installed onto the *RIGHT* side of the KW mount.

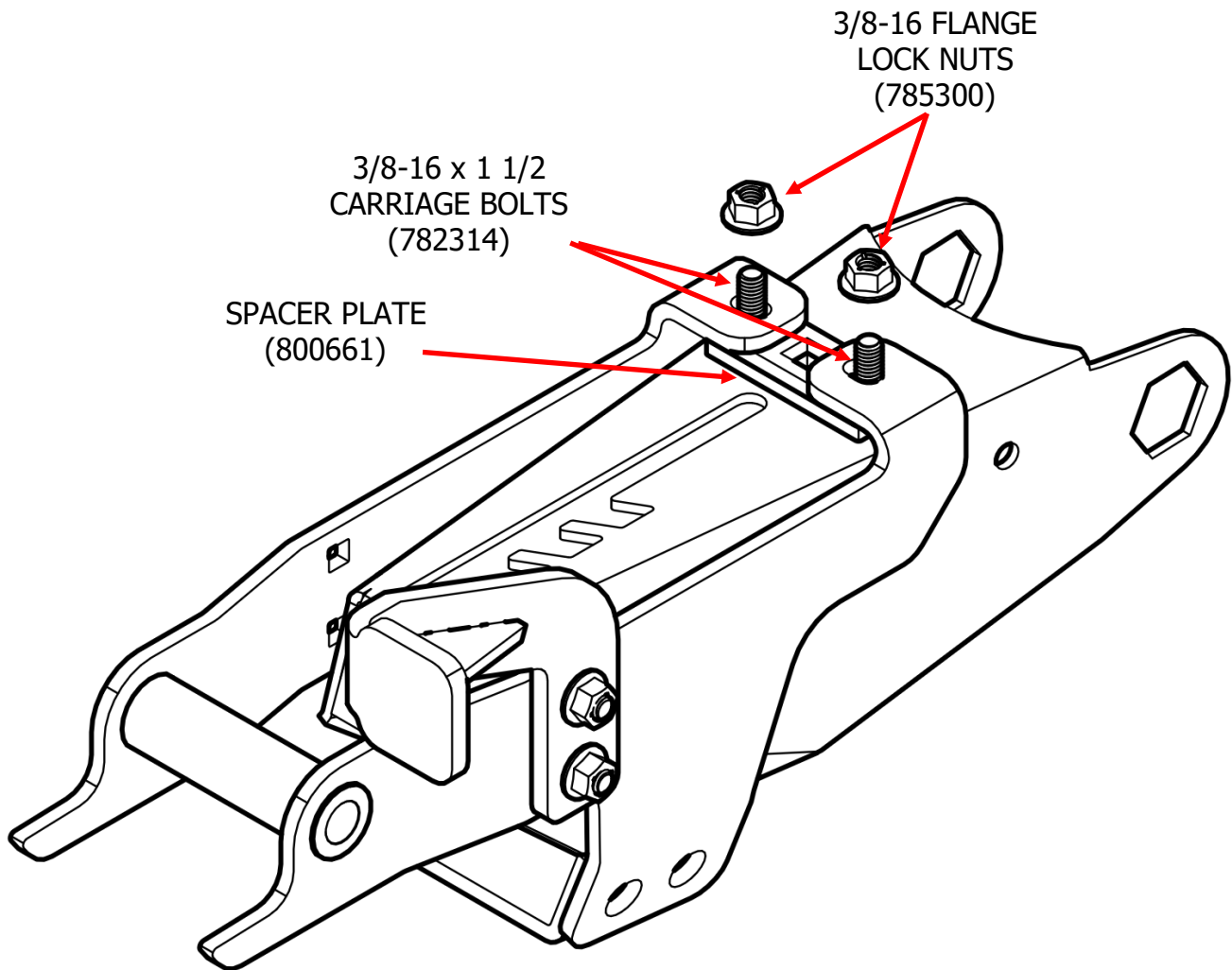
Assemble the Cam stop arm with 2 x 3/8-16 x 1" Carriage bolts (Head of bolt on the inside) and provided 3/8-16 Flange lock nuts. See Below.



STEP 2A: ATTACH MOUNT TO KINZE FRAME

Slide 2nd stage mount onto the Kinze Closing Arm. Align the Square holes with the slots in the KW mount. With 2 X 800661 spacers between the 2nd stage mount and the top of the Kinze Closing Arm, use provided 3/8-16 x 1 1/2" (782314) carriage bolts and 3/8-16 flange lock nuts (785300) to secure the mount onto the closing arm as shown below.

Note: Leave 3/8 nuts loose until after Closing Wheels are installed. Depending on year model and series, may only need 1 spacer (800661) for proper installation.

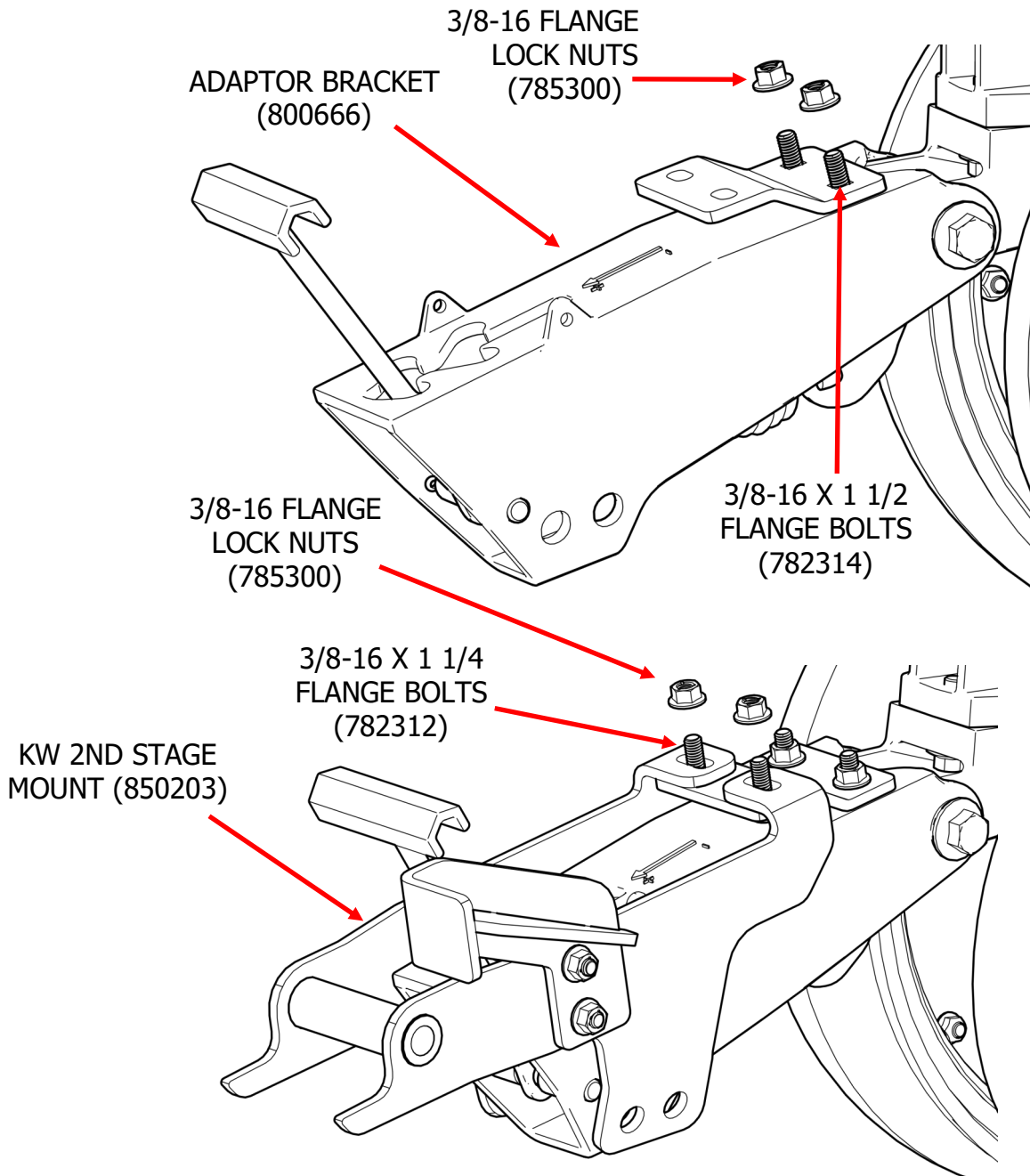


STEP 2B: ATTACH MOUNT TO WHITE 9000 FRAME

Attach the Adaptor Bracket (800666) to the top of the White Closing Arm as shown with the square holes matching on both. Fasten bracket to the closing arm using provided 3/8-16 x 1 1/2 Carriage Bolts (782314) inserted from the bottom and 3/8-16 Flange Lock Nuts (785300).

Slide the KW Mount onto the Closing arm. Align the slots with the slots in the Adaptor Bracket. Use provided 3/8-16 x 1 1/4" carriage bolts and 3/8-16 flange lock nuts to secure the mount onto the closing frame as shown below.

Note: Do not fully tighten nuts until closing wheels are installed.

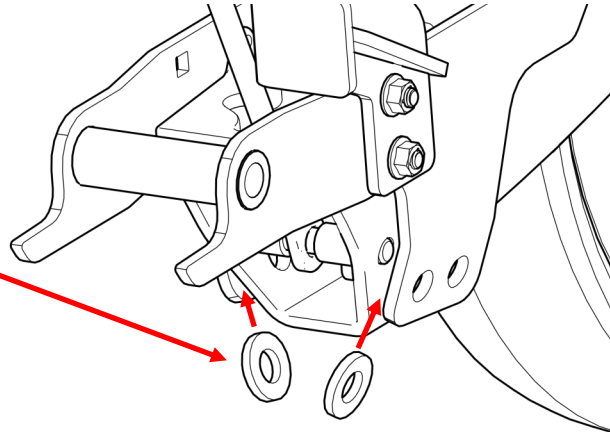


STEP 3: INSTALL WHEELS

INSTALLING THE BSCW1444C TO THE TAIL WHEEL HOUSING

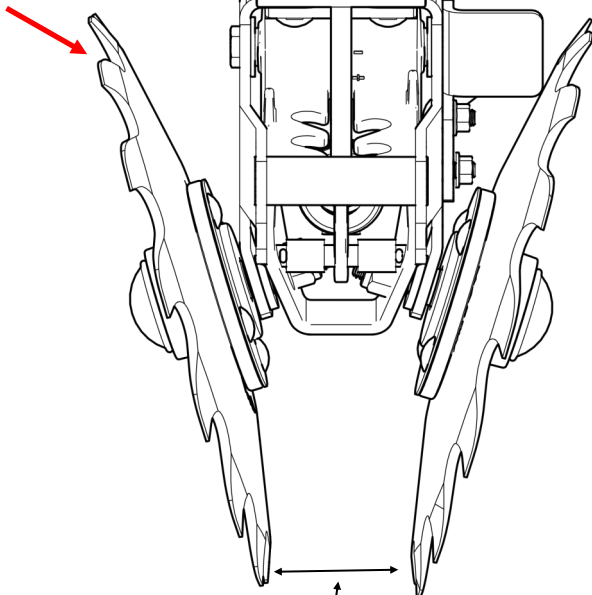
- 1) If installing on a White 9000 only, insert 5/8 Thick Washer (788600) between KW mount and White Closing Arm on each side as shown. (If installing on a Kinze closing arm, ignore 5/8 thick washer)
- 2) With Dust cap off, insert the 5/8" x 3 3/4" bolt thru the hub and add 1 x 5/8 ID x 7/8 OD washer between the hub and KW mount. Insert bolt through the KW Mount, 5/8 Thick washer (if on a White 9000), and Closing arm, add the nut and tighten to 116 ft-lbs. Repeat for opposite side.
- 3) Recommended distance is between 2 3/4" and 3" as shown below. Additional washers included for adjusting distance.

5/8" THICK
(788600)



**LEFT
SIDE**

RIGHT HAND
(RTW141418RC)

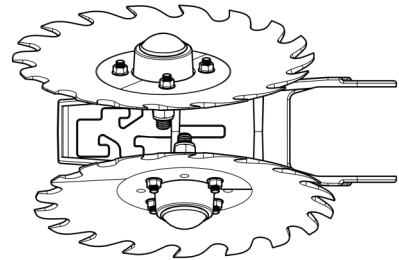


RECOMMENDED STARTING
DISTANCE 2 3/4" to 3"
WHEN ASSEMBLED.

**RIGHT
SIDE**

LEFT HAND
(RTW14148LC)

**Recommended to run
wheels offset as shown
below with the left side
wheel leading (closer to
the row unit).**

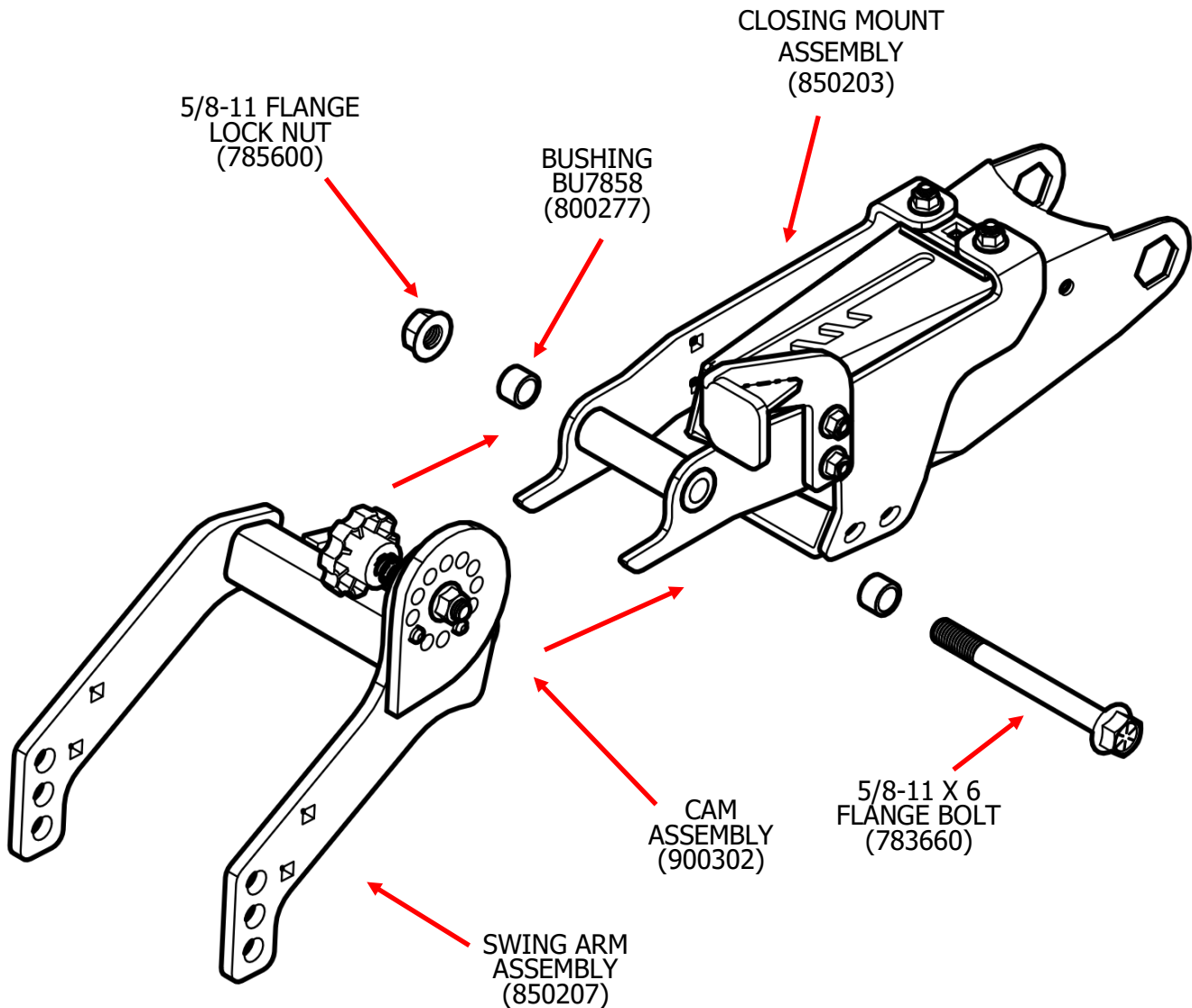


Hardware Required Per Wheel

- | | |
|--------------------------------|-------|
| 1) 3/8" X 1 1/4" Carriage Bolt | Qty 4 |
| 2) 3/8" Flange Nut | Qty 4 |
| 3) 5/8" Washer | Qty 3 |
| 4) 5/8" Nylock Nut | Qty 1 |
| 5) 5/8" X 3 3/4" Bolt | Qty 1 |

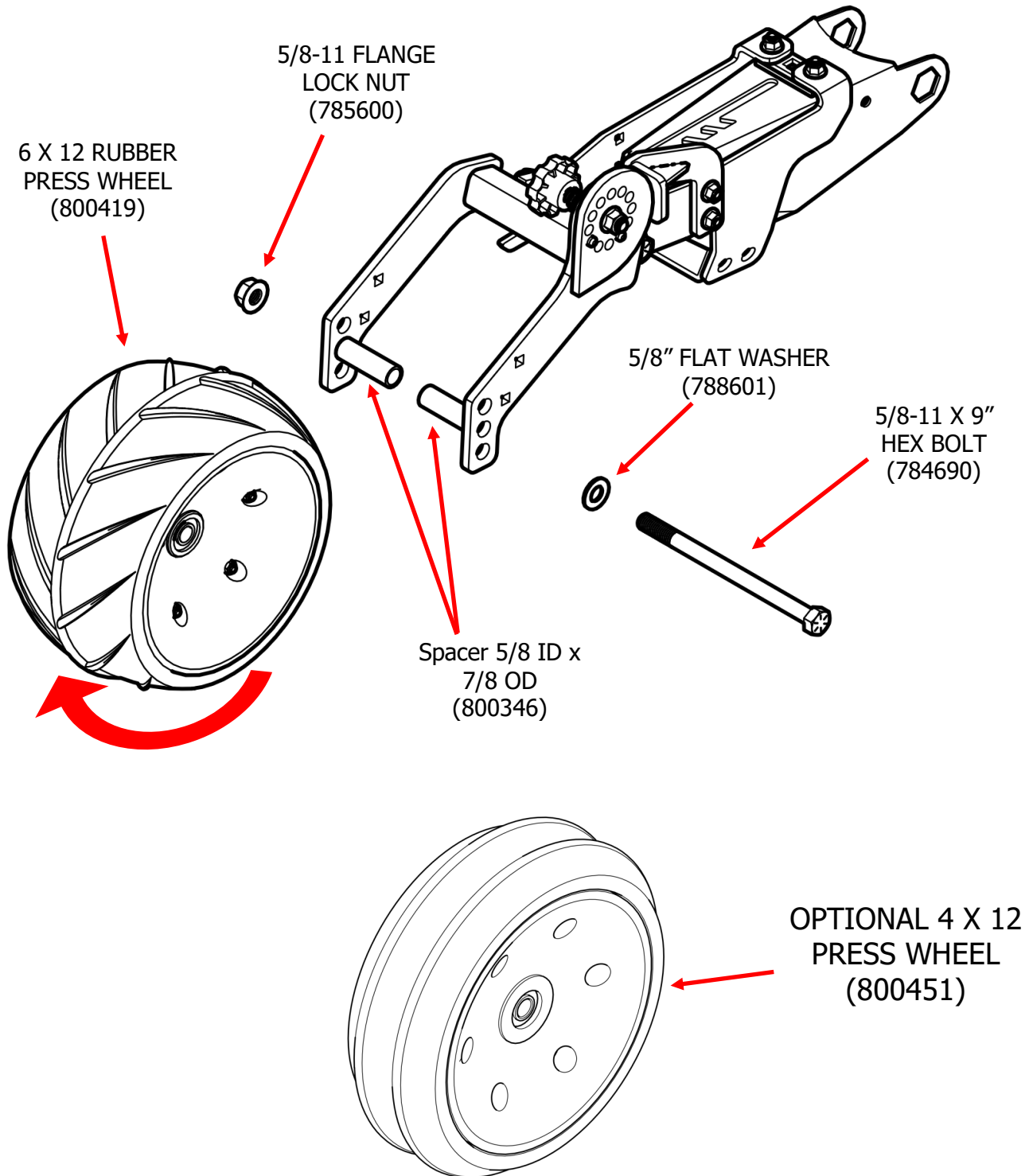
STEP 4: ATTACH SWING ARMS TO MOUNT

Install Swing Arm Assembly (850207) to 2nd Stage Closer Mount using 5/8-11 x 6 Flange Bolt (783660), Bushings BU7858 x 2 (800277), and 5/8-11 Flange Lock Nut (785600) as shown below.



STEP 5: INSTALL PRESS WHEEL

1. Install Press Wheel (800419 or 800451 (4x12)) to Stage Two Swing Arms as shown below with 5/8-11 x 9 Flange Bolt (783690), 2 x Press Wheel Spacers (800346), and 5/8-11 Lock Nut (785600). See Step 4 for Adjustment of Press wheel.



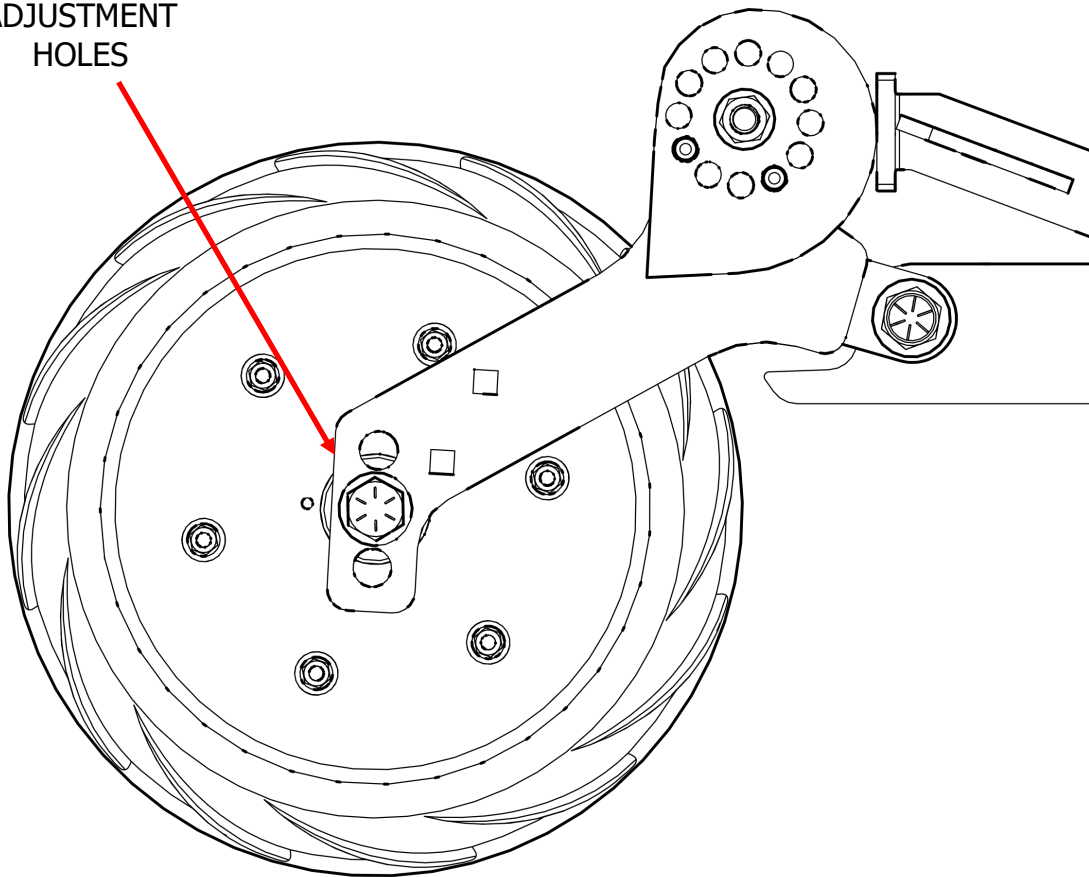
STEP 6: ADJUST CAM FOR CLOSING WHEEL DEPTH

Martin Closing Wheel Cam allows for more adjustment based on your closing configuration or soil conditions. Additionally, the swing arms have 3 holes for vertical adjustment of the Press wheel to change depth.

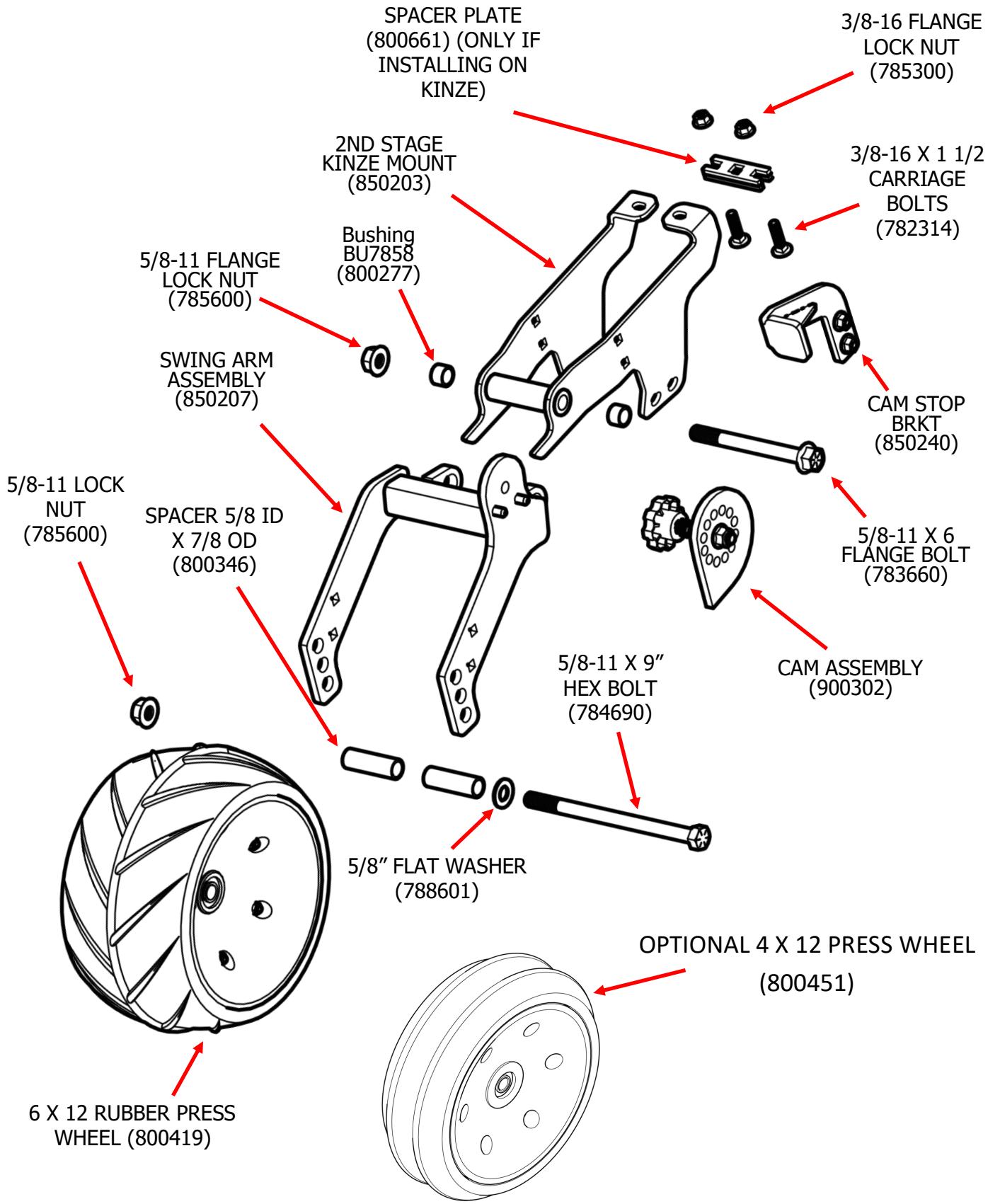
If using Martin 13 inch Spike wheels, it is recommended to run with the Press wheel in the Top hole. When using Martin 14" Cupped Razors or 15 inch Spikes, Press wheel in bottom hole of Swing arms is recommended.

It is recommended to start initial cam adjustments with the point of the Cam facing down as shown below.

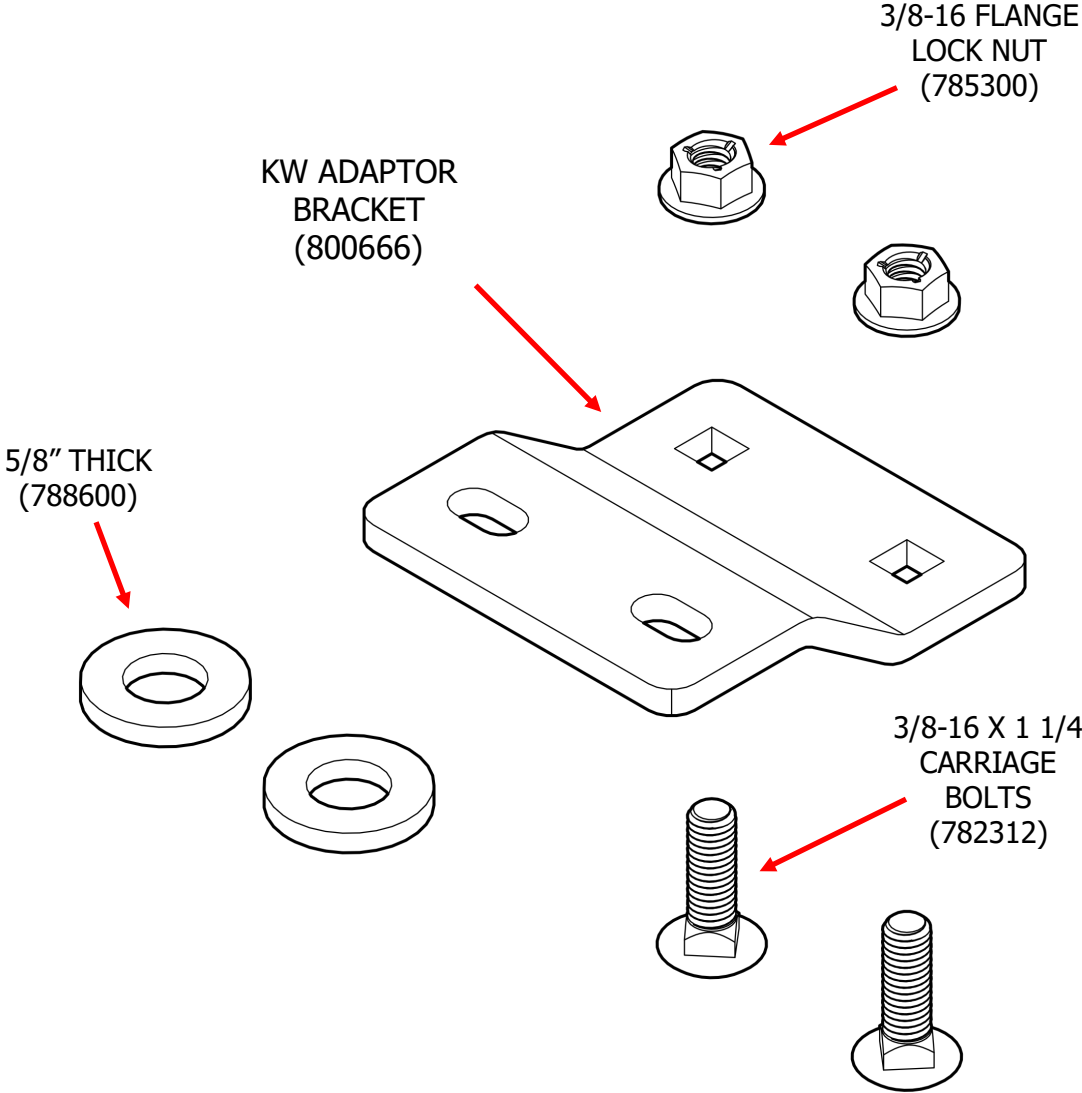
PRESS WHEEL
ADJUSTMENT
HOLES



PARTS BREAKDOWN FOR KW 2ND STAGE CLOSER (900311)



PARTS BREAKDOWN FOR KW ADAPTOR KIT (900382)



NOTES:



The most trusted name in no-till
Established 1991

Martin Industries LLC

206 Elk Fork Road

Elkton, KY 42220

Telephone: 270-265-5817

E-Mail: martin@martintill.com